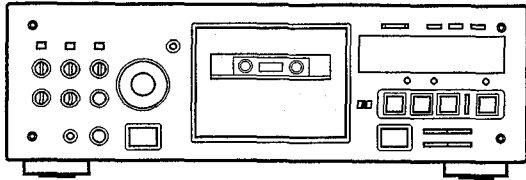


# TEAC



## SERVICE MANUAL

# V-8030S/V-6030S

Stereo Cassette Deck

### CONTENTS

### 目次

1 SPECIFICATIONS.....	2
仕 様	
2 CASE AND FRONT PANEL REMOVAL.....	3
外装部品の外し方	
3 ADJUSTMENT AND CHECKS .....	4
調整と確認	
4 EXPLODED VIEWS AND PARTS LIST.....	10
分解図とパーツリスト	
5 PC BOARDS AND PARTS LIST .....	22
基板図とパーツリスト	

## 1 SPECIFICATIONS 仕様

**Track System** : 4-Track, 2-Channel Stereo  
**Heads** : 1 Erase, 1 Record and 1 Playback (Combination)  
**Type of Tape** : Cassette tape C-60 and C-90 (Philips type)  
**Tape Speed** : 4.8 cm/sec (1-7/8 ips)  
**Motors** : **V-8030S**  
 1 brushless quarts locked PLL servo DC motor (for capstan drive)  
 1 DC motor (for reel drive)  
 1 DC motor (for mechanism drive)  
 1 DC motor (for power loading)

### V-6030S

1 DC servo motor (for capstan drive)  
 1 DC motor (for reel drive)  
 1 DC motor (for mechanism drive)  
 1 DC motor (for power loading)

### Wow and Flutter (W.RMS) :

**V-8030S**: 0.022 %    **V-6030S**: 0.027 %

### Frequency response (Overall, -20 dB) :

15-21,000 Hz  $\pm$  3 dB, Metal  
 15-20,000 Hz  $\pm$  3 dB, CrO<sub>2</sub>  
 15-18,000 Hz  $\pm$  3 dB, Normal

### Signal-to-Noise Ratio (Overall) :

60 dB (NR OFF, 3 % THD Level, Weighted)  
 70 dB (Dolby B NR In, over 5 kHz)  
 80 dB (Dolby C NR In, over 1 kHz)  
 84 dB (Dolby S NR In, over 1 kHz)

### Fast Winding Time

: Approximately 85 seconds for C-60

### Inputs :

Line : 100 mV, 50 k ohms  
 CD Direct : 180 mV, 50 k ohms

### Outputs :

Line : 410 mV for load impedance of 50 k ohms or more  
 Headphones : 2 mW/8 ohms load

### Power Requirements :

120/230 V AC, 50-60 Hz, (General export models)  
 120 V AC, 60 Hz, (U.S.A./Canada models)  
 230 V AC, 50 Hz, (Europe model)  
 240 V AC, 50 Hz, (U.K./Australia models)

### Power Consumption :

**V-8030S**: 21 W    **V-6030S**: 20 W

### Dimensions (W x H x D) :

442 x 149 x 352 mm

(17-3/8" x 5-7/8" x 13-7/8" )

### Weight :


**V-8030S**: 9.5 kg (20-15/16 lbs.)

**V-6030S**: 8.5 kg (18-12/16 lbs.)

### Standard Accessories :

Wireless Remote Control Unit (RC-557 ; for Gold-finish version or RC-558 ; for Black-finish version),  
 Batteries (SUM-3, "AA", "R6" type) x 2,  
 RCA pin-plug cords x 2

●Improvements may result in specification or feature changing without notice.

Dolby noise reduction and HX Pro headroom extension manufactured under license from Dolby Laboratories Licensing Corporation. HX Pro originated by Bang & Olufsen. "DOLBY", the double-D symbol  and "HX PRO" are trademarks of Dolby Laboratories Licensing Corporation.

トラック形式    4トラック2チャンネル ステレオ  
 ヘッド構成    録音×1・再生×1 コンビネーションヘッド  
                   消去ヘッド×1  
 使用テープ    C-60, C-90タイプ カセットテープ  
 テープ速度    4.8cm/sec  
 モーター       **V-8030S**

キャプスタン : ブラシレスクォーツロック  
 PLLサーボDCモーター×1

リール        : DCモーター×1

メカニズム    : DCモーター×1

パワーローディング : DCモーター×1

### V-6030S

キャプスタン : DCサーボモーター×1

リール        : DCモーター×1

メカニズム    : DCモーター×1

パワーローディング : DCモーター×1

### ワウ・フラッター **V-8030S**

0.022 % (W. RMS)

$\pm$  0.04 % (W. Peak) \*

### V-6030S

0.027 % (W. RMS)

$\pm$  0.048 % (W. Peak) \*

### 周波数特性(総合) 15~21,000Hz $\pm$ 3dB\* : メタル

15~20,000Hz  $\pm$  3dB\* : クローム

15~18,000Hz  $\pm$  3dB\* : ノーマル

### SN比(総合) 60dB (NR OFF, 規定録音レベル) \*

70dB (ドルビー-B NR ON, CCIR/ARM)

80dB (ドルビー-C NR ON, CCIR/ARM)

84dB (ドルビー-S NR ON, CCIR/ARM)

### 早巻時間

約85秒(C-60テープ)

### 入力

ライン : 100mV  
 (入力インピーダンス 50k  $\Omega$ )

CDダイレクト : 180mV

(入力インピーダンス 50k  $\Omega$ )

### 出力

ライン : 410mV

(負荷インピーダンス 50k  $\Omega$  以上)

ヘッドホン : 2mW/8  $\Omega$

### 電源

100V AC, 50-60Hz

### 消費電力

**V-8030S**: 21W

**V-6030S**: 20W

### 外形寸法

442 x 149 x 352mm (W x H x D)

### 重量

**V-8030S**: 9.5kg

**V-6030S**: 8.5kg

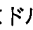
### 付属品

リモコンユニット RC-557またはRC-558

入出力コード×2, 乾電池(単3)×2

●仕様および外観は、改善のため予告なく変更することがあります。  
 ●\*印は、日本電子機械工業会(EIAJ CP-2311)規格に定められた測定法によるものです。

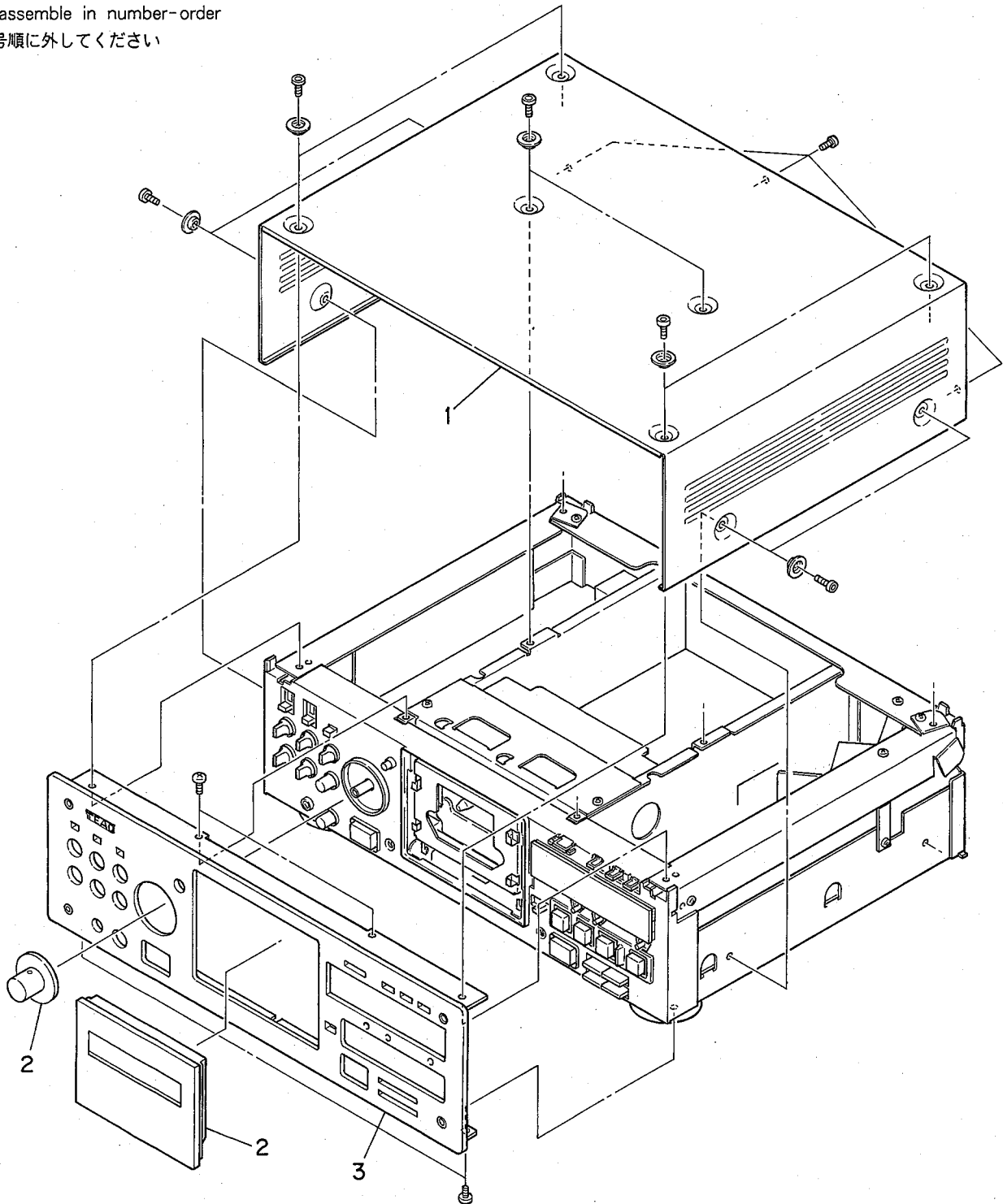
ドルビーノイズリダクション及びHXプロヘッドルームエクステンションはドルビーラボラトリーズライセンスコーポレーションからの実施権に基づき製造されています。HXプロはBang and Olufsenの考案です。

ドルビー、DOLBY、ダブルD記号  及びHXプロはドルビーラボラトリーズライセンスコーポレーションの登録商標です。

## 2 CASE AND FRONT PANEL REMOVAL

外装部品の外し方

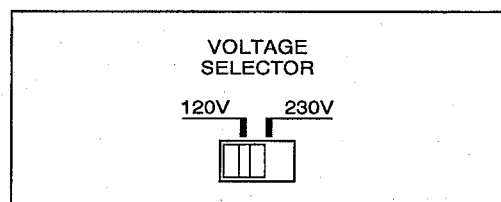
Disassemble in number-order  
番号順に外してください



### Voltage Conversion

Be sure to remove the power cord from the AC outlet before repositioning the voltage converter switch.

1. Locate the voltage selector on the rear panel.
2. Using a flat-bladed screwdriver, set to the appropriate 230 V or 120 V position according to your area.



## 3 ADJUSTMENT AND CHECKS

### 調整と確認

#### 3-1 MECHANICAL ADJUSTMENT

##### 3-1-1 Tape speed

1. Connect a frequency counter to the deck as shown in Fig. 3-1.
2. Load a TEAC MTT-111N test tape and play the beginning of the test tape.
3. Adjust the variable resistor (Fig. 3-2) to get the adjustment value of 3,000Hz to 3,010Hz.  
(V-6030S only)
4. In play mode, check that the following values are obtained at the beginning and end of the tape.  
Speed deviation : 3,000Hz  $\pm$  30Hz (V-8030S)  
3,000Hz  $\pm$  60Hz (V-6030S)  
Speed drifting : within 15Hz (V-8030S)  
within 60Hz (V-6030S)

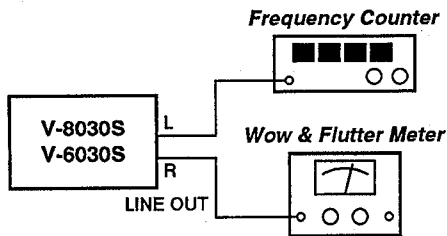


Fig. 3-1

##### 3-1-2 Wow and flutter (playback method)

1. Connect a wow-and-flutter meter to the deck as shown in Fig. 3-1.
2. Load and play a TEAC MTT-111N test tape.
3. Check that the readings on the wow-and-flutter meter are as follows.  
(Except the beginning and the end of the tape)  
Specifications : 0.050% WRMS (V-8030S)  
0.065% WRMS (V-6030S)

##### 3-1-3 Reel torque

1. Load the cassette torque meter on the deck and read the pointer indication on the dial scale for each tape transport operation. The measured torque should be within the following specified values.  
Take-up : 35 to 55g  $\cdot$  cm  
Supply : 6 to 10g  $\cdot$  cm  
FF/REW : 70 to 160g  $\cdot$  cm

#### 3-1 機構部の調整

##### 3-1-1 テープスピード

1. Fig. 3-1のように周波数カウンターを接続する。
2. テストテープMTT-111N(3kHz)の巻始めを再生する。
3. 周波数値が3,000~3,010HzとなるようにFig. 3-2に示すVRを調整する。(V-6030Sのみ)
4. 巻始めから巻終わりまで再生し、速度偏差および変動幅を確認する。  
速度偏差 : 3,000Hz  $\pm$  30Hz (V-8030S)  
3,000Hz  $\pm$  60Hz (V-6030S)  
変動幅 : 15Hz以内 (V-8030S)  
60Hz以内 (V-6030S)

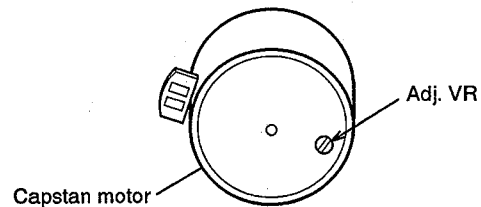


Fig. 3-2

##### 3-1-2 ワウ・フラッタ (再生法)

1. Fig. 3-1のようにワウ・フラッターメーターを接続する。
2. テストテープMTT-111Nを再生する。
3. ワウ・フラッタ値が下の規格内に入ることを確認する。  
(テープの巻始め、巻終りを除く)  
規格 : 0.050% WRMS (V-8030S)  
0.065% WRMS (V-6030S)

##### 3-1-3 リールトルク

1. カセット型トルクメーターによる測定値が下記の範囲内であることを確認する。  
テイクアップトルク : 35~55g  $\cdot$  cm  
バックテンショントルク : 6~10g  $\cdot$  cm  
早送り/巻戻しトルク : 70~160g  $\cdot$  cm



### 3-2 ELECTRICAL ADJUSTMENT

#### 3-2-1 Precautions

- Before performing adjustments and checks clean and demagnetize the entire tape path.
- In general, adjustments and checks are made in the order of Lch then Rch. Double REF. Nos. indicate Lch/Rch. (Example ; R11/R21)
- 0dB is referenced to 0.775V.
- The AC voltmeter used in the procedures must have an input impedance of 1MΩ or more.

### 3-2 アンプ部の調整

#### 3-2-1 注意

- アンプ部の調整・確認の前に、テープ走行系の消磁と清掃を行なってください。
- 特に指定のない限り、調整はLch, Rchの順序で行なってください。尚、R11/R21のように記されている回路番号はLch/Rchを示します。
- 0dB=0.775V
- 測定に使用するレベル計の入力インピーダンスは1MΩ以上のものを使用してください。

#### 3-2-2 Adjustment locations 調整箇所

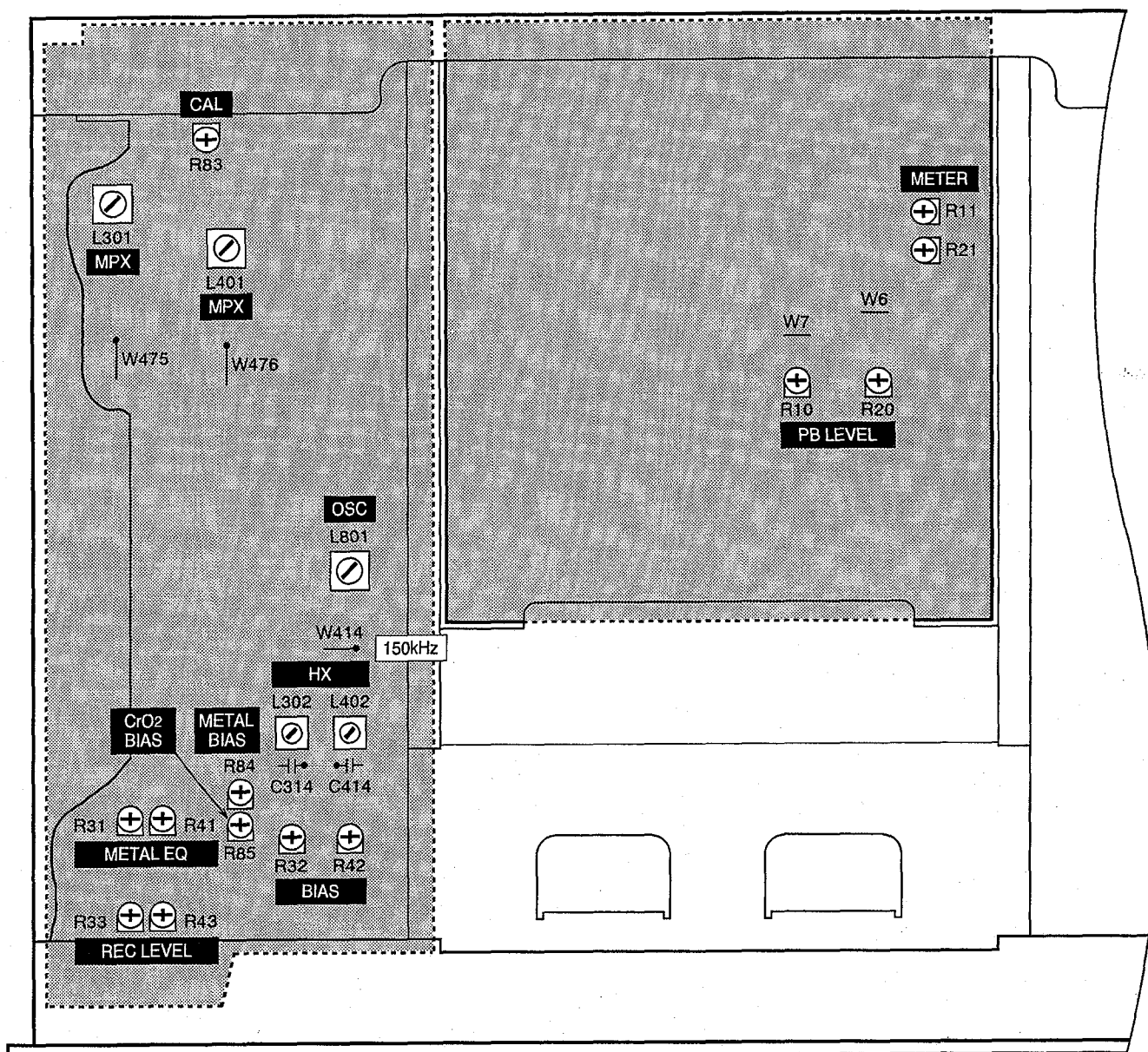


Fig. 3-3

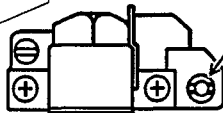

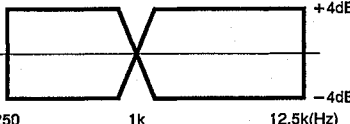
## 3-2-3 Playback performance 再生系

### Deck settings:

mode : play  
 auto monitor switch : TAPE  
 Dolby NR switch : off  
 MPX filter switch : off

### TEAC test tapes:

MTT-150C : For Dolby level calibration  
 MTT-25702 : For playback frequency response check NORMAL tape  
 MTT-5512 : For S/N check NORMAL tape

ITEM 項目	SETTING 設定	INPUT SIGNAL 入力信号	ADJUSTMENTS 調整箇所	MEASURING POINTS, RESULT 測定箇所・調整値	REMARKS 備考
1. Head azimuth adjustment アジマス調整	Connection : Fig. 3-5	MTT-25702 (12.5kHz)	Azimuth screw アジマス調整ねじ 	LINE OUT : Maximum output level at L & R ch Phase : within 45° Lch, Rchとも出力最大 位相 : 45° 以内 (Fig. 3-6)	
2. Dolby level ドルビーレベル	Connection : Fig. 3-7	MTT-150C	R10/R20	TP ; W6/W7 -6dB (388mV)	
3. Playback output level 再生出力レベル	Connection : Fig. 3-4 Dolby NR sw : off/S	MTT-150C	Check	LINE OUT : -6.5 ± 1dB (327mV~411mV)	Ref. output level 基準出力レベル
4. Meter level メーターレベル		MTT-150C	R11/R21	Peak Level Meter :  mark	
5. phones output level phones 出力レベル	Connection : Fig. 3-8 phones level : max	MTT-150C	Check	phones : -16 ± 3dB (87.0mV~174mV)	8 Ω load 8 Ω 負荷
6. Playback frequency response 再生周波数特性	Connection : Fig. 3-4	MTT-25702	Check		
7. Playback S/N ratio 再生S/N比	Connection : Fig. 3-4	MTT-5512 Playback the leader tape portion リーダーテープ部を 再生	Check	46dB min.	Ratio of ref. level to noise 基準出力レベルと ノイズの比

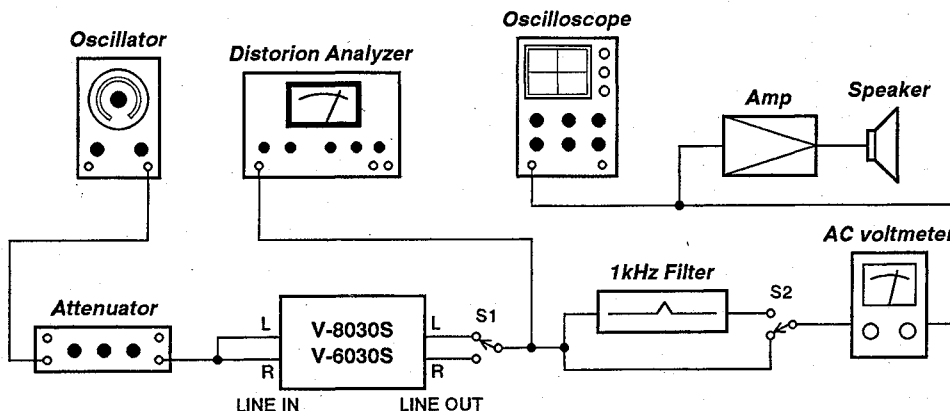
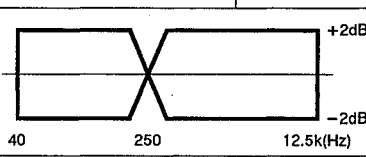


Fig. 3-4 Basic test setup

## 3-2-4 Monitor performance モニター系

### Deck settings:

mode : stop  
 auto monitor switch : SOURCE  
 Dolby NR switch : off  
 MPX filter switch : off

ITEM 項目	SETTING 設定	INPUT SIGNAL 入力信号	ADJUSTMENTS 調整箇所	MEASURING POINTS, RESULT 測定箇所・調整値	REMARKS 備考
8. Min. LINE input level ライン最小入力レベル	Connection : Fig. 3-4 rec level control : max	LINE IN : 400Hz / -19dB (87mV)	Check	LINE OUT : -6.5 ± 3dB (260mV~518mV)	
9. Specified LINE input level ライン規定入力レベル	Connection : Fig. 3-4	LINE IN : 400Hz / -9dB (275mV)	rec level control balance control	LINE OUT : -6.5dB (367mV)	After adjusting, do not move (Specific position) 調整後は動かさないこと(規定位置)
10. Monitor frequency response モニター周波数特性	Connection : Fig. 3-4	LINE IN : 40Hz~12.5kHz -19dB (87mV)	Check		
11. Monitor S/N ratio モニターS/N比	Connection : Fig. 3-4	LINE IN : No signal 無信号	Check	60dB min.	Ratio of ref. level to noise 基準出力レベルとノイズの比

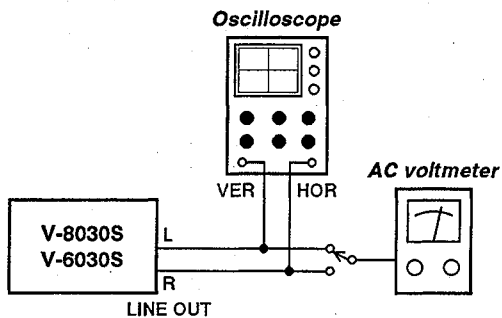


Fig. 3-5 Test setup for azimuth check

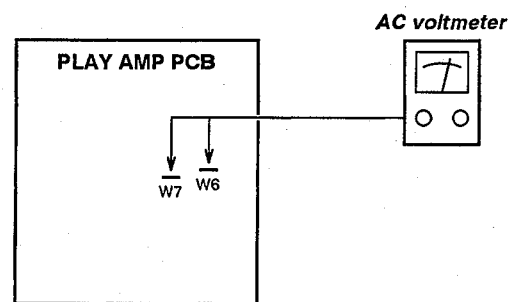


Fig. 3-7 Test setup for Dolby level adjustment

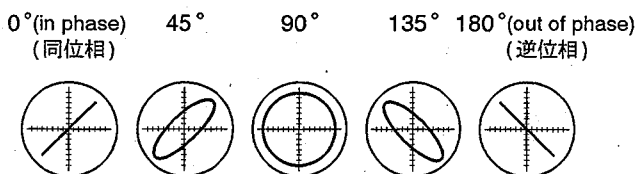


Fig. 3-6 Confirming phase relationship

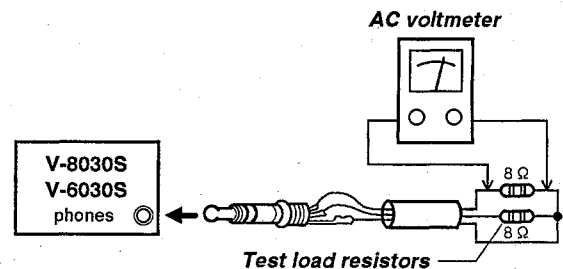


Fig. 3-8 Test setup for phones check

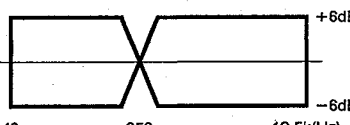
## 3-2-5 Recording performance 録音系

### Deck settings:

mode : record  
 auto monitor switch : TAPE  
 Dolby NR switch : off  
 MPX filter switch : off  
 rec level control : Specified position 規定位置 (Item9)  
 bias control : Center position  
 level control : Center position

### TEAC recording test tapes:

MTT-5512 : For NORMAL  
 MTT-5562 : For CrO<sub>2</sub>  
 MTT-5571 : For METAL

ITEM 項目	SETTING 設定	INPUT SIGNAL 入力信号	ADJUSTMENTS 調整箇所	MEASURING POINTS, RESULT 測定箇所・調整値	REMARKS 備考
12. Bias osc frequency バイアス発振周波数	Connection : Fig. 3-9 TAPE : MTT-5512	LINE IN : No signal 無信号	L801	TP ; W414 150 ± 5kHz	
13. Step up coil ステップアップコイル	Connection : Fig. 3-10 TAPE : MTT-5571	LINE IN : No signal 無信号	L302/L402	TP ; C314/C414 Min. DC voltage DC 電圧最小	
14. Record bias 録音バイアス	Connection : Fig. 3-4 R31/R41 : Center position TAPE : MTT-5512 MTT-5562 MTT-5571	LINE IN : 250Hz/10kHz - 42dB (6.16mV)	NORMAL: R32/R42 CrO <sub>2</sub> : R85 METAL : R84	LINE OUT : Nearly equal level at both frequencies 両周波数の録再出力が同レベル (± 0.5dB).  After adjusting the record bias, adjust R31 and R41 so that the output level of the left and right channels become equal. バイアス調整後、チャンネル間レベル差がある場合は R31/R41 で調整する	
15. MPX filter MPX フィルター	Connection : Fig. 3-4 MPX filter switch : on	LINE IN : 19kHz/- 12dB (195mV)	L301/L401	30dB min.	
16. calibration level calibration レベル	Connection : Fig. 3-11 calibration start : on TAPE : MTT-5512	LINE IN : No signal 無信号	R83  Check	TP ; W475 [LEVEL] - 21dB (69.1mV)  [LEVEL] 400 ± 50Hz [BIAS] 11 ± 1kHz - 21dB (69.1mV)	Press the calibration start button. calibration start ボタンを押す → [LEVEL] Press the calibration start button again. calibration start ボタンをもう一度押す → [BIAS]
17. Record level 録音レベル	Connection : Fig. 3-4 TAPE : MTT-5512  TAPE : MTT-5562 MTT-5571	LINE IN : 400Hz/- 12dB (195mV)	R33/R43  Check	LINE OUT : - 9.5 ± 1dB (231mV~291mV)  LINE OUT : - 9.5 ± 1.5dB (218mV~309mV)	
18. Total harmonic distortion 総合歪率	Connection : Fig. 3-4 TAPE : MTT-5512 MTT-5562 MTT-5571	LINE IN : 400Hz/- 12dB (195mV)	Check	NORMAL : 2.0 % or less CrO <sub>2</sub> : 2.5 % or less METAL : 2.5 % or less	
19. Overall frequency response 録再周波数特性	Connection : Fig. 3-4 TAPE : MTT-5512 MTT-5562 MTT-5571	LINE IN : 40Hz~12.5kHz - 42dB (6.16mV)	Check	 +6dB -6dB 40 250 12.5k(Hz)	

ITEM 項目	SETTING 設定	INPUT SIGNAL 入力信号	ADJUSTMENTS 調整箇所	MEASURING RESULT 調整値	REMARKS 備考
20. bias control range bias 調整幅	Connection : Fig. 3-4 TAPE : MTT-5512	LINE IN : 10kHz/- 42dB (6.16mV)	bias control “+” → “-”	4dB min.	
21. level control range level 調整幅	Connection : Fig. 3-4 TAPE : MTT-5512	LINE IN : 400Hz/- 9dB (275mV)	level control “+” ↔ “-”	± 3dB min.	
22. Overall S/N ratio 総合 S/N 比	Connection : Fig. 3-4 TAPE : MTT-5512 MTT-5562 MTT-5571	LINE IN : No signal 無信号	Check	NORMAL: 45dB min. CrO <sub>2</sub> /METAL: 46dB min.	Ratio of ref. level to noise 基準出力レベルとノイズの 比
23. Erase efficiency 消去率	Connection : Fig. 3-4 TAPE : MTT-5571 1kHz B.P.F in	LINE IN : 1kHz/+ 1dB (870mV)	Check	65dB min.	Ratio of the 1kHz recorded portion to the erased portion. 未消去部分と消去部分の比
24. rec mute function rec mute 効果	Connection : Fig. 3-4 TAPE : MTT-5571 1kHz B.P.F in	LINE IN : 1kHz/+ 1dB (870mV)	Check	65dB min.	Ratio of the 1kHz recorded portion to the “rec mute” portion. 録音部分と“rec mute”部 分の比
25. Channel seperation チャンネル セパレーション	Connection : Fig. 3-4 TAPE : MTT-5562 1kHz B.P.F in	LINE IN : Lch 1kHz/- 9dB (275mV) Rch No signal 無信号	Check	30dB min.	Ratio of Lch (1kHz) to Rch (no signal). Lch (1kHz) と Rch (無信号) の比
26. Adjacent track crosstalk トラック間 クロストーク	Connection : Fig. 3-4 TAPE : MTT-5571	LINE IN : Lch No signal 無信号 Rch 125Hz/-9dB (275mV)	Check	40dB min.	Invert tape and play Rch track. Check leakage level against the output reference of previously recorded portion. テープを反転して再生した 時の Rch 出力レベルの比

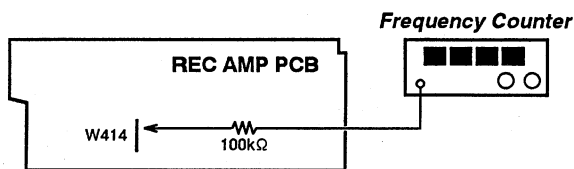


Fig. 3-9 Test setup for bias OSC adjustment

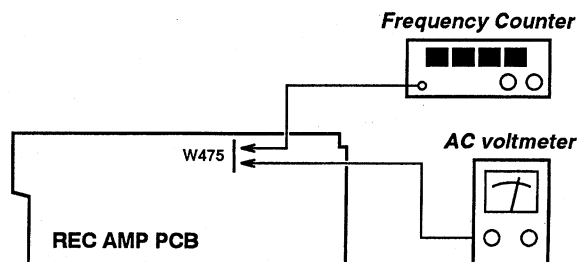


Fig. 3-11 Test setup for calibration level adjustment

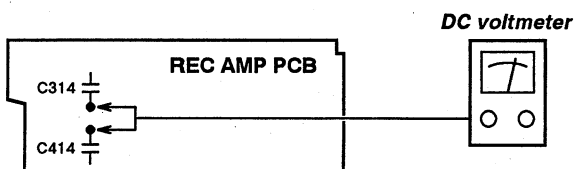
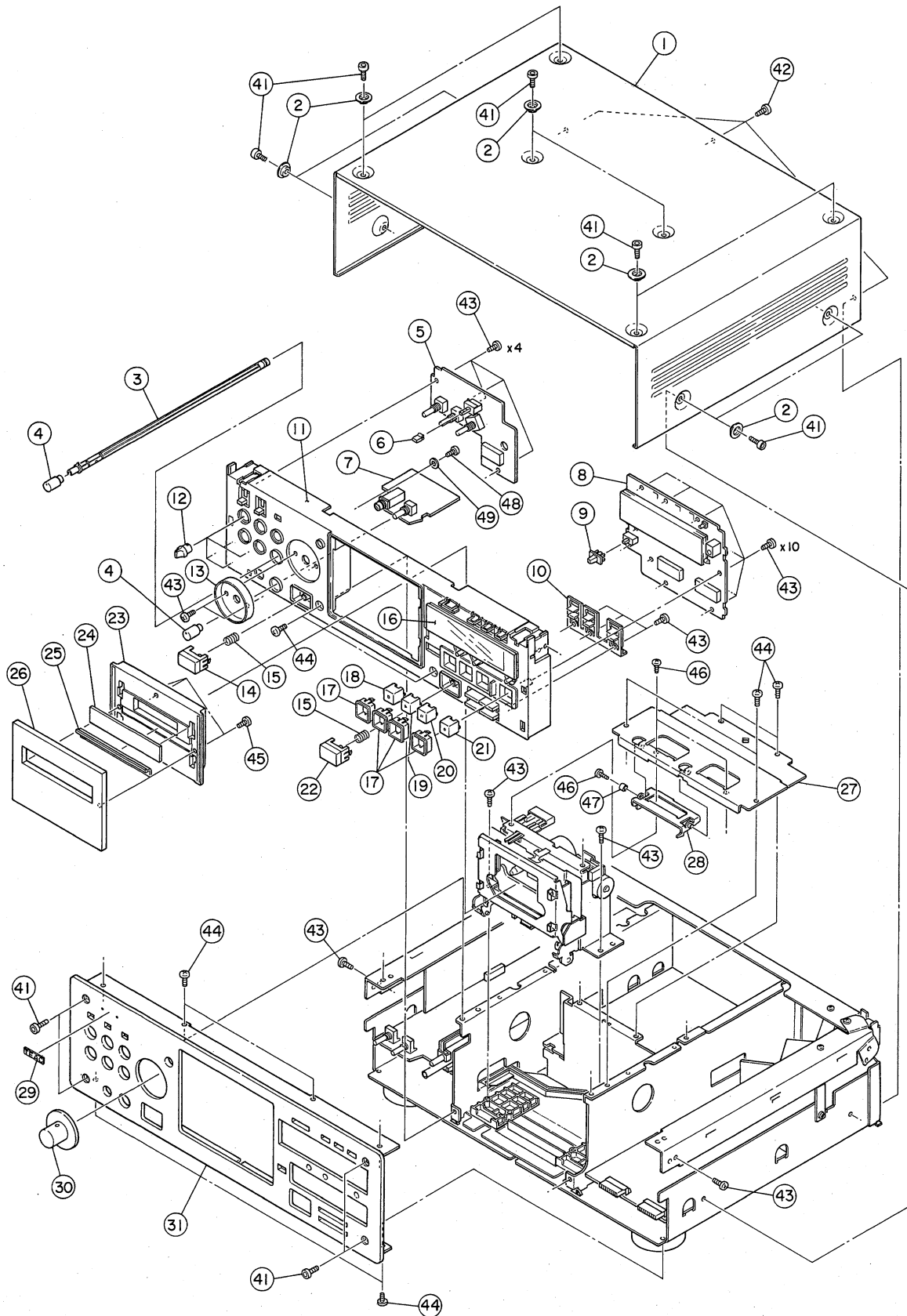


Fig. 3-10 Test setup for step up coil adjustment

# 4 EXPLODED VIEWS AND PARTS LIST

分解図とパーツリスト

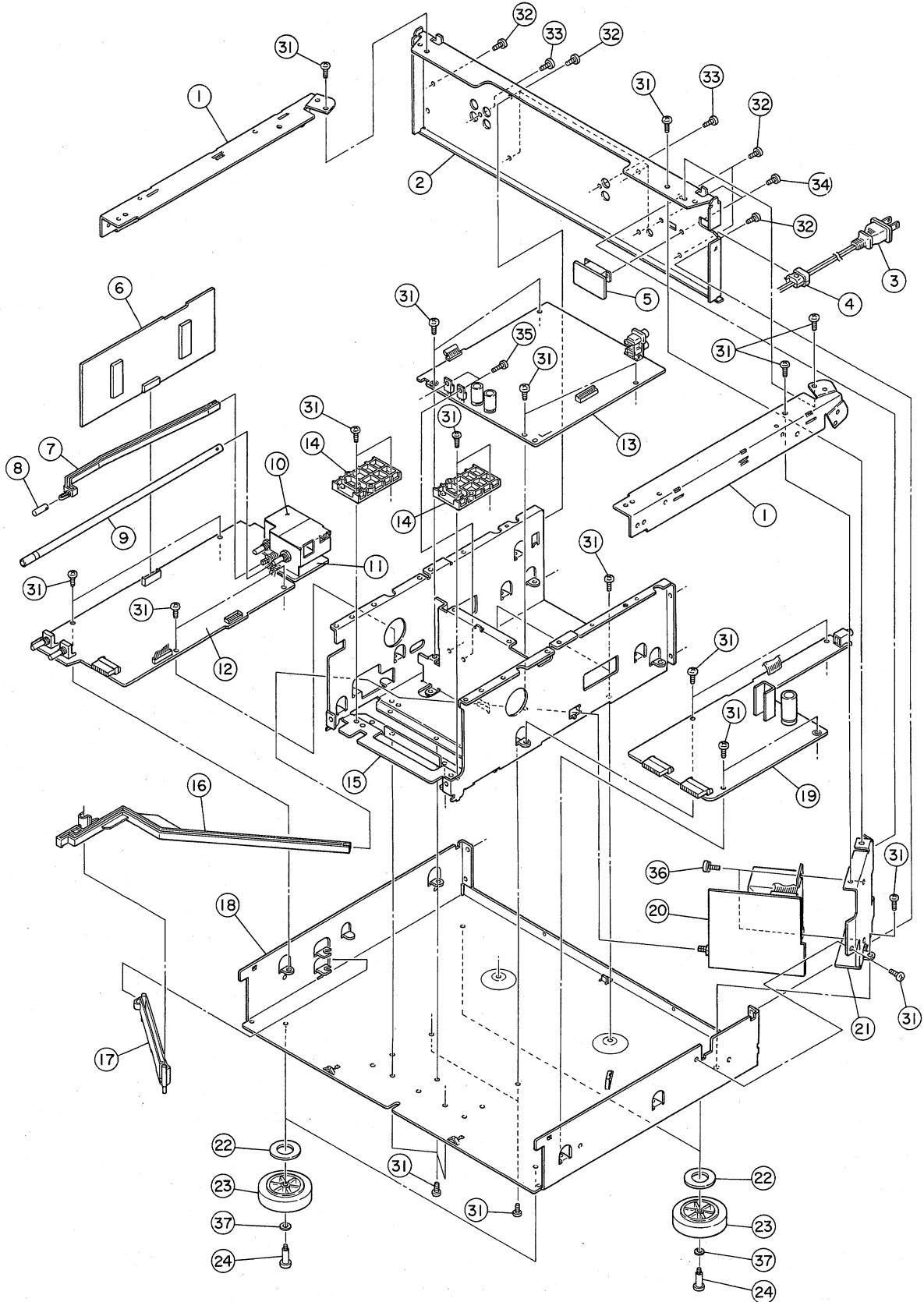
EXPLODED VIEW-1



## EXPLODED VIEW-1

REF. NO.	PARTS NO.	DESCRIPTION	REMARKS
1- 1	*9260216600	BONNET ASSY, N	V-8030S (N)
	*9260216500	BONNET ASSY, B	V-8030S (B)
	*9260209700	BONNET, N	V-6030S (N)
	*9260209800	BONNET, B	V-6030S (B)
1- 2	9260192401	VIS COLLAR, N	
1- 3	*9260207201	JOINT, BAL	
1- 4	9260207600	KNOB, BAL N	V-8030S (N) /V-6030S (N)
	9260207700	KNOB, BAL B	V-8030S (B) /V-6030S (B)
1- 5	*9145139300	FRONT L PCB ASSY	
1- 6	9260215100	PUSH BUTTON, N	V-8030S (N) /V-6030S (N)
	5801407500	PUSH BUTTON	V-8030S (B) /V-6030S (B)
1- 7	*9145139500	PHONE JACK PCB ASSY	
1- 8	*9145139400	FRONT R PCB ASSY	
1- 9	9260207900	SLIDE KNOB, N	V-8030S (N) /V-6030S (N)
	9260207800	SLIDE KNOB, B	V-8030S (B) /V-6030S (B)
1-10	9260190900	BUTTON HINGE	
1-11	*9260208302	FRONT ESCUTCHEON, N	V-8030S (N) /V-6030S (N)
	*9260208402	FRONT ESCUTCHEON, B	V-8030S (B) /V-6030S (B)
1-12	M00097100A	KNOB, N	V-8030S (N) /V-6030S (N)
	5801412800	KNOB	V-8030S (B) /V-6030S (B)
1-13	9260206801	REC KNOB RING	
1-14	9260214901	PWR BUTTON ASSY, N	V-8030S (N) /V-6030S (N)
	9260214801	PWR BUTTON ASSY, B	V-8030S (B) /V-6030S (B)
1-15	*9260213500	P/B SPRING	
1-16	*9260207302	METER COVER	
1-17	5801530500	CAP ESCUTCHEON	
1-18	5801530801	BUTTON CAP (ST)	
1-19	5801530601	BUTTON CAP (PL)	
1-20	5801530701	BUTTON CAP (PA)	
1-21	M00120000A	BUTTON CAP (REC)	
1-22	9260215301	O/C BUTTON ASSY, N	V-8030S (N) /V-6030S (N)
	9260215201	O/C BUTTON ASSY, B	V-8030S (B) /V-6030S (B)
1-23	9260207401	LID, ESCUTCHEON	
1-24	9260213302	LID, WINDOW	
1-25	9260206900	LID, MOLE	
1-26	9260206200	LID, N	V-8030S (N)
	9260206300	LID, B	V-8030S (B)
	9260216400	LID, N	V-6030S (N)
	9260216300	LID, B	V-6030S (B)
1-27	*9260208800	SW ARM BRACKET	
1-28	*9260208901	SW ARM	
1-29	-----	EMBLEM, TEAC (GRY)	V-8030S (N) /V-6030S (N)
	-----	EMBLEM, TEAC	V-8030S (B) /V-6030S (B)
1-30	9260213801	REC KNOB N ASSY	V-8030S (N) /V-6030S (N)
	9260213701	REC KNOB B ASSY	V-8030S (B) /V-6030S (B)
1-31	*9260208102	FRONT PANEL, N	V-8030S (N)
	*9260208202	FRONT PANEL, B	V-8030S (B)
	*9260216002	FRONT PANEL, N	V-6030S (N)
	*9260215902	FRONT PANEL, B	V-6030S (B)
1-41	9783513008	SCREW, RTT-B M3X8 (GLD)	V-8030S (N) /V-6030S (N)
	9783533008	SCREW, RTT-B M3X8 (BLK)	V-8030S (B) /V-6030S (B)
1-42	*9783593008	SCREW, C-TITE M3X8 (NI-BLK)	
1-43	*9783603008	SCREW, BTT-P M3X8	
1-44	*9783213006	SCREW, BTT-B M3X6	
1-45	*9783243008	SCREW, BTT-B M3X8 (BLK)	
1-46	*9783212606	SCREW, BTT-B M2. 6X6	
1-47	*5785602630	SPACER, 2. 6X3 (BLK)	
1-48	*9783603006	SCREW, BTT-P M3X6	
1-49	*9294005200	WASHER, 3X8	

EXPLODED VIEW-2

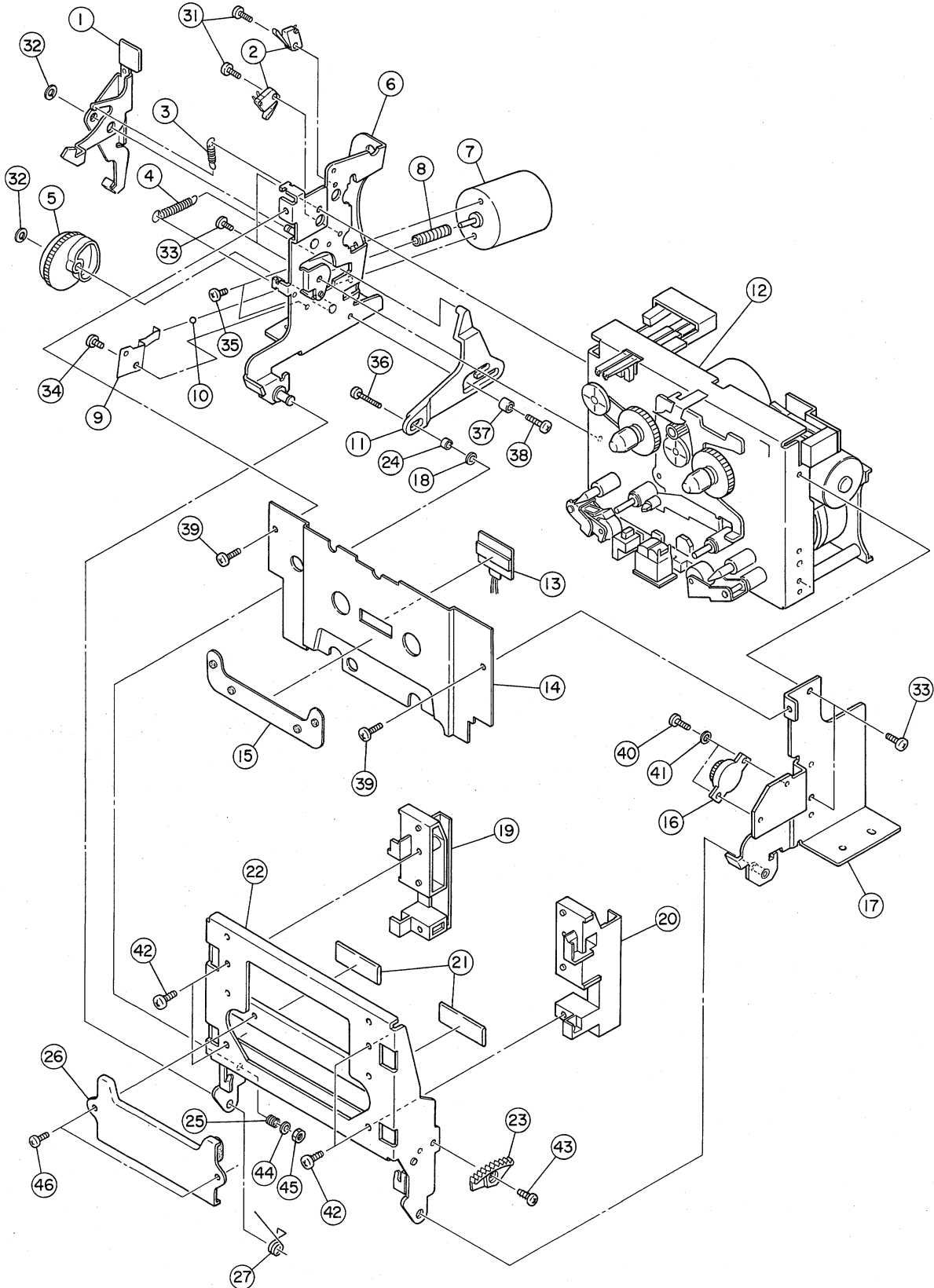




EXPLODED VIEW-2

REF. NO.	PARTS NO.	DESCRIPTION	REMARKS
2- 1	*9260209000	SIDE ANGLE	
2- 2	*9260209300	REAR PANEL, A [J, E, UK, A]	
	*9260209400	REAR PANEL, B [US, C, GE]	
2- 3	△ 5350019300	AC CORD [GE]	
	△ 9109025711	AC CORD [E]	
	△ 9109026010	AC CORD [A]	
	△ 9109027210	AC CORD [US, C, GE]	
	△ 9109027300	BS CORD [UK]	
	△ 9109027500	AC CORD [J]	
2- 4	△*9121000102	BUSHING, #2271 [J, GE, E, UK, A]	
	△*9121000200	BUSHING, #2272 [US, C, GE]	
2- 5	*9145140500	AC SELECTOR SW PCB ASSY [US, C, GE]	
2- 6	*9145139200	DOLBY S PCB ASSY	
2- 7	*9260207501	JOINT, CD DIRECT	
2- 8	9260215000	KNOB, CD-N	V-8030S (N) /V-6030S (N)
	5801412400	KNOB, CD-B	V-8030S (B) /V-6030S (B)
2- 9	*9260213600	JOINT, REC	
2-10	*9260209101	VR HOLDER	
2-11	*9145140300	VR PCB ASSY	
2-12	*9145140100	REC AMP PCB ASSY	
2-13	*9145139100	PLAY AMP PCB ASSY	
2-14	*5801406500	MECH BASE, B	
2-15	*9260209601	CENTER CHASSIS	
2-16	*9260207001	JOINT, POWER(1)	
2-17	*9260207100	JOINT, POWER(2)	
2-18	-----	CHASSIS	
2-19	*9145140200	CONTROL PCB ASSY	
2-20	*9145140401	TRANS PCB ASSY [US, C, GE]	
	*9145140411	TRANS PCB ASSY [E]	
	*9145140421	TRANS PCB ASSY [UK, A]	
	*9145140431	TRANS PCB ASSY [J]	
2-21	*9260209201	TRANS BASE	
2-22	9260214400	FOOT WASHER	
2-23	9260214501	FOOT (56) AL ASSY	V-8030S
	9260214601	FOOT (56) HS ASSY	V-6030S
2-24	9260212800	SCREW, STOP M	
2-31	*9783213006	SCREW, BTT-B M3X6	
2-32	*9783243006	SCREW, BTT-B M3X6 (BLK)	
2-33	*9783613008	SCREW, BTT-P M3X8 (BLK)	
2-34	*9783233006	SCREW, BTT-S M3X6 (BLK)	
2-35	*9783213008	SCREW, BTT-B M3X8	
2-36	*9783294008	SCREW, BTB-S M4X8	
2-37	*9294006400	WASHER, SPRING Φ4	

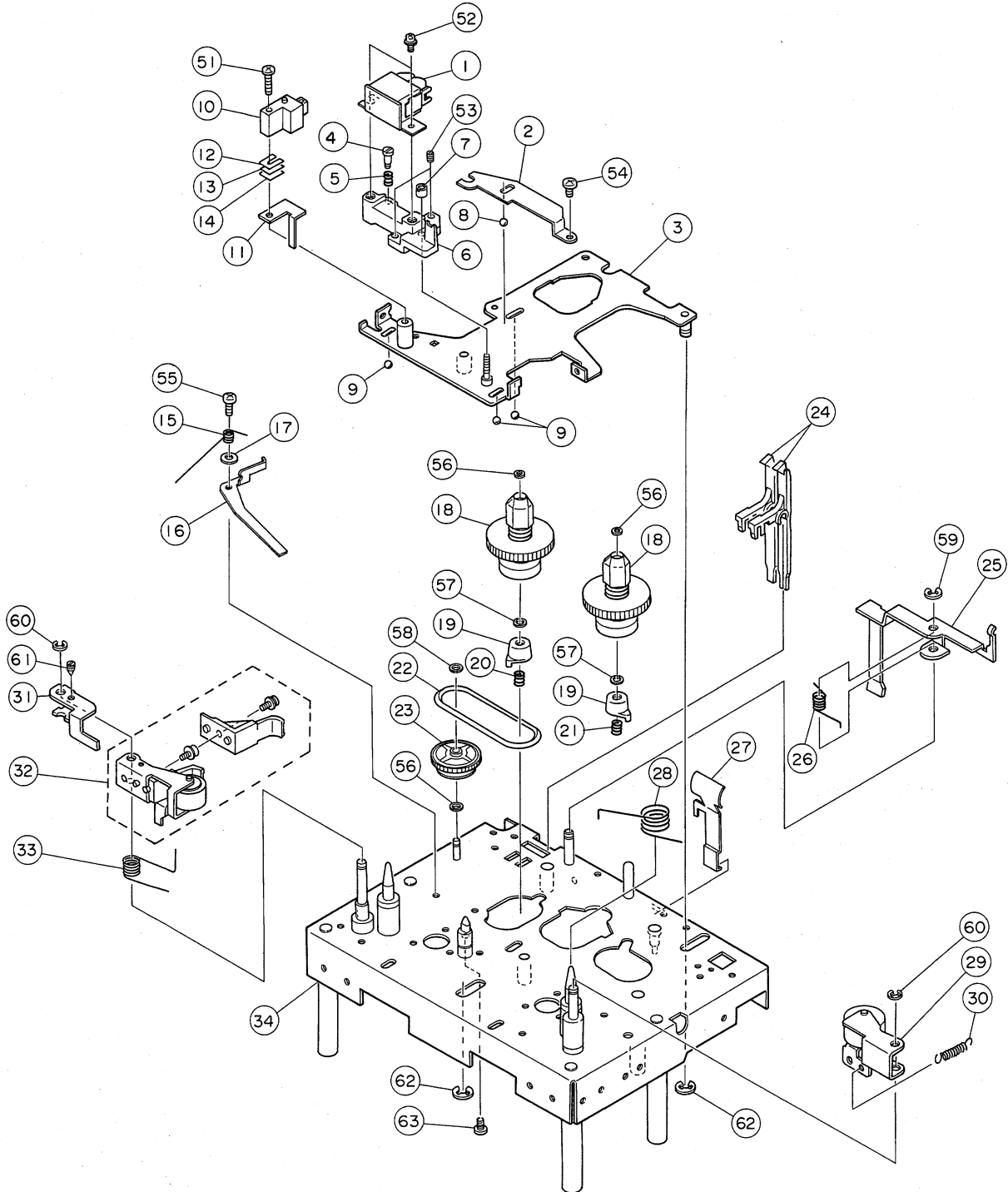
EXPLODED VIEW-3



**EXPLODED VIEW-3**

REF. NO.	PARTS NO.	DESCRIPTION	REMARKS
3- 1	*5801402202	HOOK LEVER	
3- 2	9135035800	PUSH SW, 1-1 SPPB22	
3- 3	*5801416700	SPRING, F	
3- 4	*5801416800	SPRING, S	
3- 5	5801402701	WORM WHEEL	
3- 6	*5801401801	CM HOLDER L ASSY	
3- 7	9278350000	DC POWER MOTOR, MDH2B60	
3- 8	5801402600	WORM	
3- 9	*5801433300	SHAFT STOPPER	
3-10	5730039500	STEEL BALL, 2. 5	
3-11	*5801402401	SLIDE ARM	
3-12	*5761854701	MECH ASSY, 3H/D DD PAD2333	V-8030S
	*5761854800	MECH ASSY, 3H/D DD PAD2334	V-6030S
3-13	9174016900	LED, SLF625C(ORG)	
3-14	*5801415100	BASE PLATE(S)	
3-15	*5801509600	CUSHION ASSY	
3-16	5801354000	DAMPER, IC72-L	
3-17	*5801402000	CM HOLDER, R	
3-18	*9260220900	CUSHION, PI 5	
3-19	5801509800	CASSETTE GUIDE, NL	
3-20	5801509900	CASSETTE GUIDE, NR	
3-21	*5801410401	CUSHION, T3. 2	
3-22	*5801416000	HOLDER ASSY	
3-23	5801415600	HOLDER GEAR	
3-24	*9260208500	HP COLLAR	
3-25	*9260213400	HP SPRING	
3-26	*5801510600	LID PLATE ASSY	
3-27	*5801415400	STABILIZER SPRING, L	
3-31	*9783202006	SCREW, BTT-S M2X6	
3-32	*9290000700	WASHER, 2. 5X6X0. 5	
3-33	*9783212605	SCREW, BTT-B M2. 6X5	
3-34	*9783012604	SCREW, PTT-B M2. 6X4	
3-35	*9783003003	SCREW, BIND M3X3	
3-36	*9783200212	SCREW, BTT-S M2X12	
3-37	*5785602630	SPACER, 2. 6X3(BLK)	
3-38	*9783202606	SCREW, BTT-S M2. 6X6	
3-39	*9783232604	SCREW, BTT-S M2. 6X4(BLK)	
3-40	*9783012004	SCREW, PTT-B M2X4	
3-41	*9290000700	WASHER, 2. 5X6X0. 5	
3-42	*9783612608	SCREW, BTT-P M2. 6X8(BLK)	
3-43	*9783122604	SCREW, BTT-B M2. 6X4(NI-BLK)	
3-44	*9290000600	WASHER, PI 2	
3-45	*9781800200	NUT, M2	
3-46	*9783102602	SCREW, PAN M2. 6X2. 6(NI-BLK)	

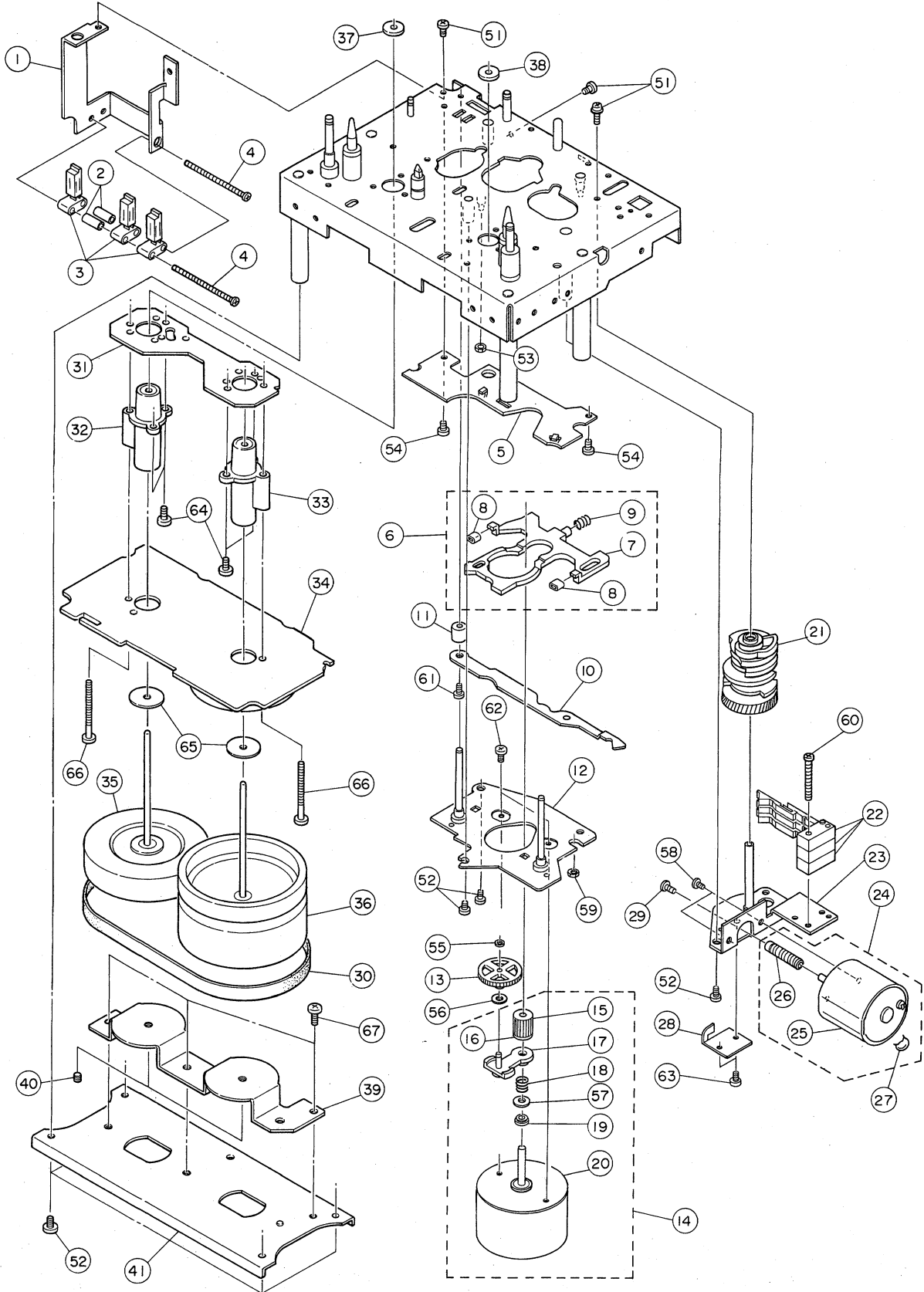
EXPLODED VIEW-4



EXPLODED VIEW-4

REF. NO.	PARTS NO.	DESCRIPTION		REMARKS
4- 1	5378906000	R/P HEAD COMBI	H2374-4105	
4- 2	*5761855000	HEAD PRESSURE PLATE	SGE2500401	V-8030S
	*5761826700	HEAD PRESSURE PLATE	KGE103405	V-6030S
4- 3	*5761828000	HEAD BASE ASSY	KGE015132	
4- 4	*5761827700	SHAFT	SIE2205901	
4- 5	*5761827800	COIL SPRING	SIE2402902	
4- 6	*5761827900	HEAD BLOCK	SIE1100103	
4- 7	*5761827500	ADJUSTMENT NUT	SIE2300801	
4- 8	*5761826800	STEEL BALL, 3	SIE3600203	
4- 9	*5761828700	STEEL BALL, 2	SIE3600201	
4-10	5761826900	ERASE HEAD	308763003	
4-11	*5761827300	E HEAD PLATE (B)	SIE2101901	
4-12	5761827000	SPACER, T=0.06	SIE3401101	
4-13	5761827100	SPACER, T=0.03	SIE3401103	
4-14	5761827200	SPACER, T=0.1	SIE3401102	
4-15	*5761829600	COIL SPRING	KGE103266	
4-16	*5761829800	CHANGE LEVER	KGE103288	
4-17	*5761829700	COLLAR	KGE103289	
4-18	*5761831000	REEL TABLE ASSY	KGE016216	
4-19	*5761831100	SPRING SUPPORT	KGE103238	
4-20	*5761831200	COIL SPRING	SIE2407104	
4-21	*5761831300	COIL SPRING	SIE2407102	
4-22	5761828900	BELT	KGE103272	
4-23	5761829000	PULLEY ASSY	KGE015113	
4-24	*5761828800	REC LEVER	SIE2000602	
4-25	*5761828100	DETECTION LEVER	KGD103344	
4-26	*5761828200	COIL SPRING	KGE103350	
4-27	*5761828300	CASSETTE PRESSURE SPRING	KGE103234	
4-28	*5761859100	COIL SPRING	KGE103445	
4-29	5761828400	PINCH ARM ASSY	KGE015079	
4-30	*5761828500	COIL SPRING	SIE2401701	
4-31	*5761829500	ADJUSTMENT PLATE	KGE103232	
4-32	5761829400	S PINCH ARM ASSY	KGE016219	
4-33	*5761829300	COIL SPRING	KGE103825	
4-34	-----	MECHA. CHASSIS ASSY	KGD016277	V-8030S
	-----	MECHA. CHASSIS ASSY	KGD015178	V-6030S
4-51	*5761835000	SCREW, BIND M2X12	SEE3053803	
4-52	*5761834300	SCREW, PAN M2X4	SEE3054501	
4-53	*5761827600	SCREW	SEE3053903	
4-54	*5761855400	SCREW, PAN	SGE3601001	V-8030S
	*5761834200	SCREW, PAN S-TITE 3X4	SEE3057824	V-6030S
4-55	*5761834800	SCREW, PAN S-TITE M2. 5X8	SEE3057817	
4-56	*5761830900	WASHER	SEE1022802	
4-57	*5761829200	WASHER	PBE16032	
4-58	*5761829100	WASHER	SEE1022818	
4-59	*5761834400	E RING, E2. 5	SIE3600101	
4-60	*5761834500	E RING, E2	22145	
4-61	*5761834700	SCREW, M2X3	SEE3053902	
4-62	*5761834600	E RING, E3	SIE3600102	
4-63	*5761824700	SCREW, PAN M2. 5X5	SEE3053501	V-8030S
	*5761824600	SCREW, PAN M2. 5X6	KGE98081	V-6030S

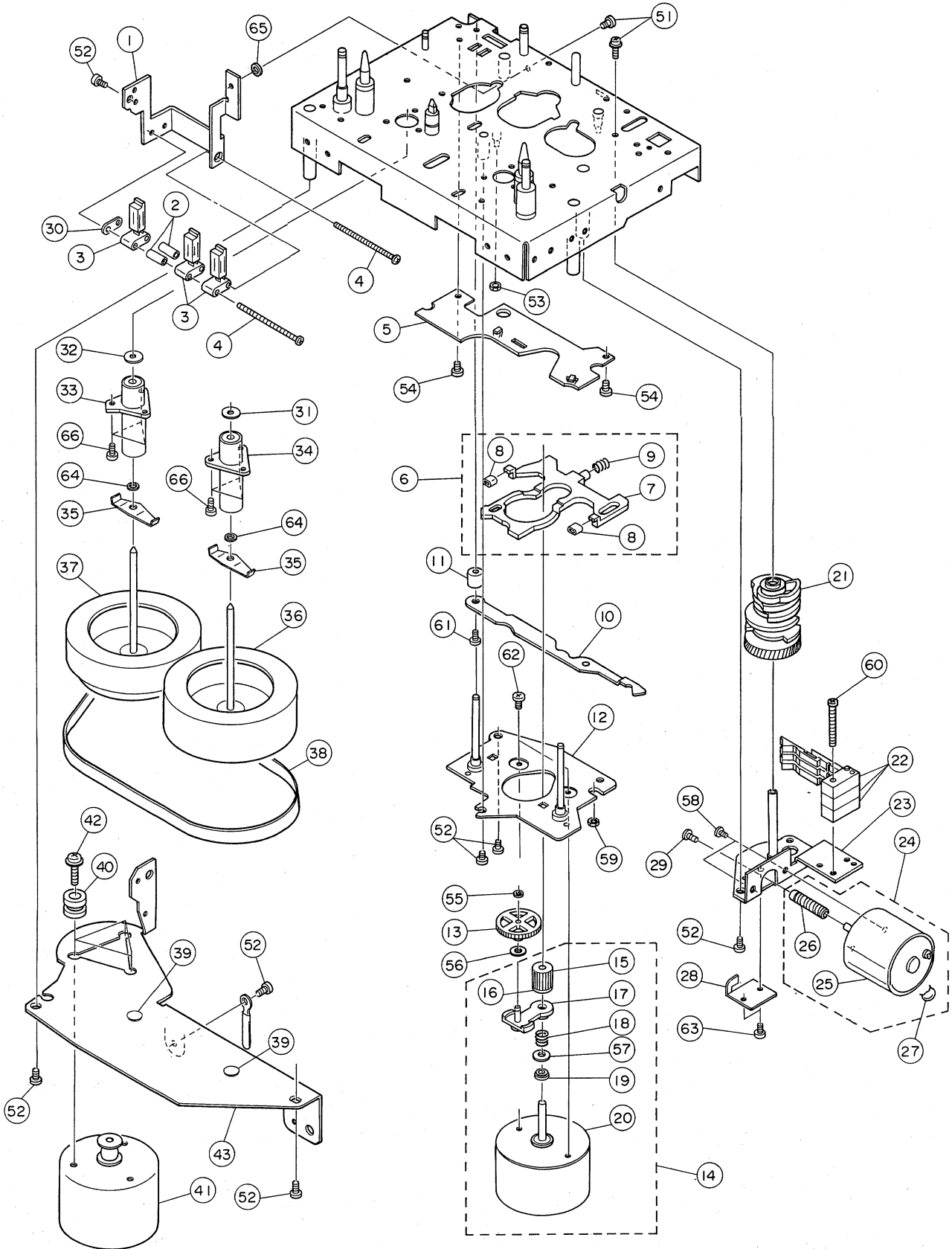
EXPLODED VIEW-5  
(V-8030S)



## EXPLODED VIEW-5 (V-8030S)

REF. NO.	PARTS NO.	DESCRIPTION	REMARKS
5- 1	*5761830600	SW BRACKET (A)	KGD103697
5- 2	*5761830400	COLLAR	SIE3600811
5- 3	5761830300	SW, LEAF	KGD103273
5- 4	*5761830700	SCREW	KGE103312
5- 5	*5761855200	SENSOR PCB ASSY	KGE016334
5- 6	*5761832500	BRAKE PLATE ASSY	KGE015133
5- 7	*5761832700	BRAKE PLATE	SIE2001603
5- 8	*5761832600	BRAKE RUBBER	SIE1801902
5- 9	*5761832800	COIL SPRING	SIE2408001
5-10	*5761833400	JOINT PLATE	KGE103231
5-11	*5761833500	COLLAR	KGE103253
5-12	*5761831400	MOTOR BRACKET ASSY	KGE015246
5-13	*5761830000	GEAR	KGE104245
5-14	5761831500	REEL MOTOR ASSY	KGE016272
5-15	5761832100	MOTOR GEAR	SIE2601402
5-16	*5761832000	FELT	SIE1700102
5-17	*5761832200	IDLER ASSY	KGE015893
5-18	*5761831900	COIL SPRING	SIE2404901
5-19	*5761831700	SPRING STOPPER	SIE3300201
5-20	5761831600	REEL MOTOR	30BHS75B05
5-21	*5761833200	CAM GEAR	KGD103817
5-22	5761833300	SW, LEAF	SID3800601
5-23	*5761833000	BRACKET (B) ASSY	KGE015466
5-24	5761834100	PAD MOTOR ASSY	KPE16245XA
5-25	5761833100	PAD MOTOR	30NCV4B01
5-26	*5761834000	WORM	SEE1009202
5-27	5761838600	CAPACITOR, 0. 1UF/25V	SEE2020732
5-28	*5761833800	THRUST RETAINER	KGE103831
5-29	*5761833700	THRUST RETAINER (B)	KGE103832
5-30	5761855900	FLAT BELT	SEE2154901
5-31	*5761857000	SPACER	SGE2101201
5-32	*5761856900	CAPSTAN STAND ASSY	SEE0845402
5-33	*5761856800	CAPSTAN STAND ASSY	SEE0845401
5-34	*5761860600	STATOR CIRCUIT ASSY	
5-35	*5761856200	S FLYWHEEL ASSY	SEE0845501
5-36	*5761856000	T FLYWHEEL ASSY	SEE0845801
5-37	*5761856300	WASHER	SEE1023002
5-38	*5761856100	WASHER	SEE1023005
5-39	*5761855600	THRUST RETAINER	SGE2100901
5-40	*5761855800	SCREW, THRUST	SEE3058151
5-41	*5761855500	REAR CHASSIS	SGE2101101
5-51	*5761834900	SCREW, PAN M2X5	SEE3054502
5-52	*5761824700	SCREW, PAN M2. 5X5	SEE3053501
5-53	*5761835700	NUT, M2. 6	18072
5-54	*5761835300	SCREW, TAP M2. 6X4	SEE3054713
5-55	*5761830100	WASHER	SEE1022816
5-56	*5761829900	WASHER	KGE103602
5-57	*5761831800	WASHER	SEE1022803
5-58	*5761835400	SCREW, PAN M2X3	SEE3056601
5-59	*5761835200	NUT, M2	18079
5-60	*5761835500	SCREW, PAN M2. 5X20	SEE3053506
5-61	*5761835600	SCREW, PAN S-TITE M2. 6X12	KGE103348
5-62	*5761835100	SCREW, BIND M2. 6X3	SEE3053701
5-63	*5761833900	SCREW, TRUSS TAP	SEE2133404
5-64	*5761856700	SCREW, PAN S-TITE	SEE3057807
5-65	*5761856400	WASHER	SEE1022848
5-66	*5761856500	SCREW, PAN	SEE3066601
5-67	*5761855700	SCREW, PAN S-TITE	SEE3057828

EXPLODED VIEW-6  
(V-6030S)





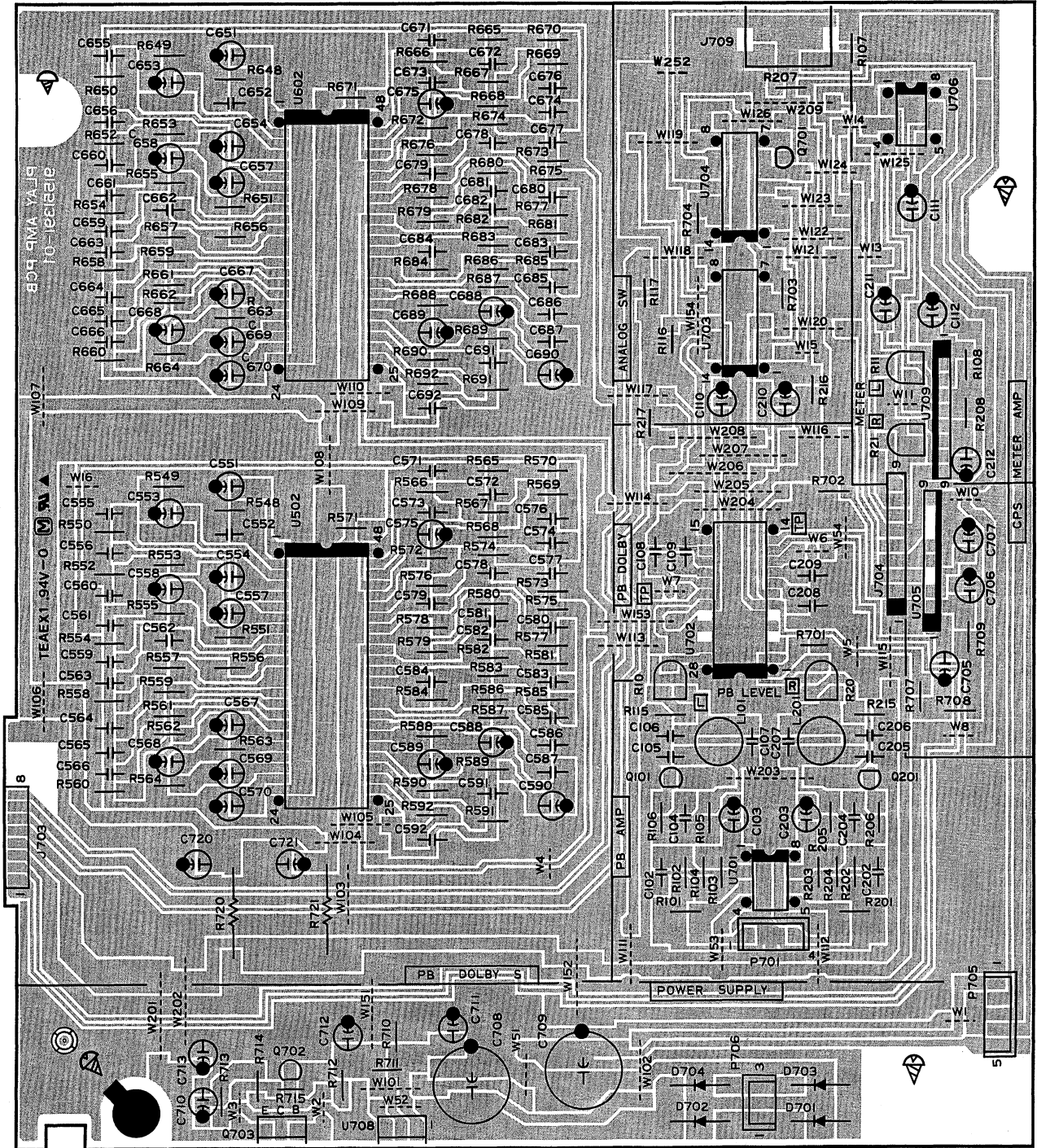
## EXPLODED VIEW-6 (V-6030S)

REF. NO.	PARTS NO.	DESCRIPTION	REMARKS
6- 1	*5761824300	SW BRACKET	KGD103416
6- 2	*5761830400	COLLAR	SIE3600811
6- 3	5761830300	SW, LEAF	KGD103273
6- 4	5761830700	SCREW	KGE103312
6- 5	*5761832900	SENSOR PCB ASSY	KGE016338
6- 6	*5761832500	BRAKE PLATE ASSY	KGE015133
6- 7	*5761832700	BRAKE PLATE	SIE2001603
6- 8	*5761832600	BRAKE RUBBER	SIE1801902
6- 9	*5761832800	COIL SPRING	SIE2408001
6-10	*5761833400	JOINT PLATE	KGE103231
6-11	*5761833500	COLLAR	KGE103253
6-12	*5761831400	MOTOR BRACKET ASSY	KGE015246
6-13	*5761830000	GEAR	KGE104245
6-14	5761831500	REEL MOTOR ASSY	KGE016272
6-15	5761832100	MOTOR GEAR	SIE2601402
6-16	*5761832000	FELT	SIE1700102
6-17	*5761832200	IDLER ASSY	KGE015893
6-18	*5761831900	COIL SPRING	SIE2404901
6-19	*5761831700	SPRING STOPPER	SIE3300201
6-20	5761831600	REEL MOTOR	30BHS75B05
6-21	*5761833200	CAM GEAR	KGD103817
6-22	5761833300	SW, LEAF	SID3800601
6-23	*5761833000	BRACKET (B) ASSY	KGE015466
6-24	5761834100	PAD MOTOR ASSY	KPE16245XA
6-25	5761833100	PAD MOTOR	30NCV4B01
6-26	*5761834000	WORM	SEE1009202
6-27	5761838600	CAPACITOR 0. 1UF/25V	SEE2020732
6-28	*5761833800	THRUST RETAINER	KGE103831
6-29	*5761833700	THRUST RETAINER (B)	KGE103832
6-30	*5761824100	WASHER	KGE103271
6-31	*5761825400	WASHER	SEE1023002
6-32	*5761825500	WASHER	SEE1023003
6-33	*5761824900	CAPSTAN STAND ASSY	KGE015169
6-34	*5761825000	CAPSTAN STAND ASSY	SIE0910302
6-35	*5761825300	LEAF SPRING	SIE2501901
6-36	*5761825100	FLYWHEEL (T)	KGD103400
6-37	*5761825200	FLYWHEEL (S)	KGD103401
6-38	5761825700	BELT	KGE104254
6-39	*5761826000	THRUST RETAINER	SIE3300701
6-40	*5761825800	RUBBER CUSHION	SGE1801101
6-41	5761826100	CAPSTAN MOTOR ASSY	KGE016275
6-42	*5761825900	SCREW, MOTOR	PBE16156
6-43	*5761825600	PLATE	KGD103403
6-51	*5761834900	SCREW, PAN M2X5	SEE3054502
6-52	*5761824600	SCREW, PAN M2. 5X6	KGE98081
6-53	*5761835700	NUT, M2. 6	18072
6-54	*5761835300	SCREW, TAP 2. 6X4	SEE3054713
6-55	*5761830100	WASHER	SEE1022816
6-56	*5761829900	WASHER	KGE103602
6-57	*5761831800	WASHER	SEE1022803
6-58	*5761835400	SCREW, PAN M2X3	SEE3056601
6-59	*5761835200	NUT, M2	18079
6-60	*5761835500	SCREW, PAN 2. 5X20	SEE3053506
6-61	*5761835600	SCREW, PAN S-TITE 2. 6X12	KGE103348
6-62	*5761835100	SCREW, BIND 2. 6X3	SEE3053701
6-63	*5761833900	SCREW, TRUSS TAP	SEE2133404
6-64	*5761824800	WASHER	SEE1022806
6-65	*5761824200	WASHER	SEE1022603
6-66	*5761824700	SCREW, PAN M2. 5X5	SEE3053501

# 5 PC BOARDS AND PARTS LIST

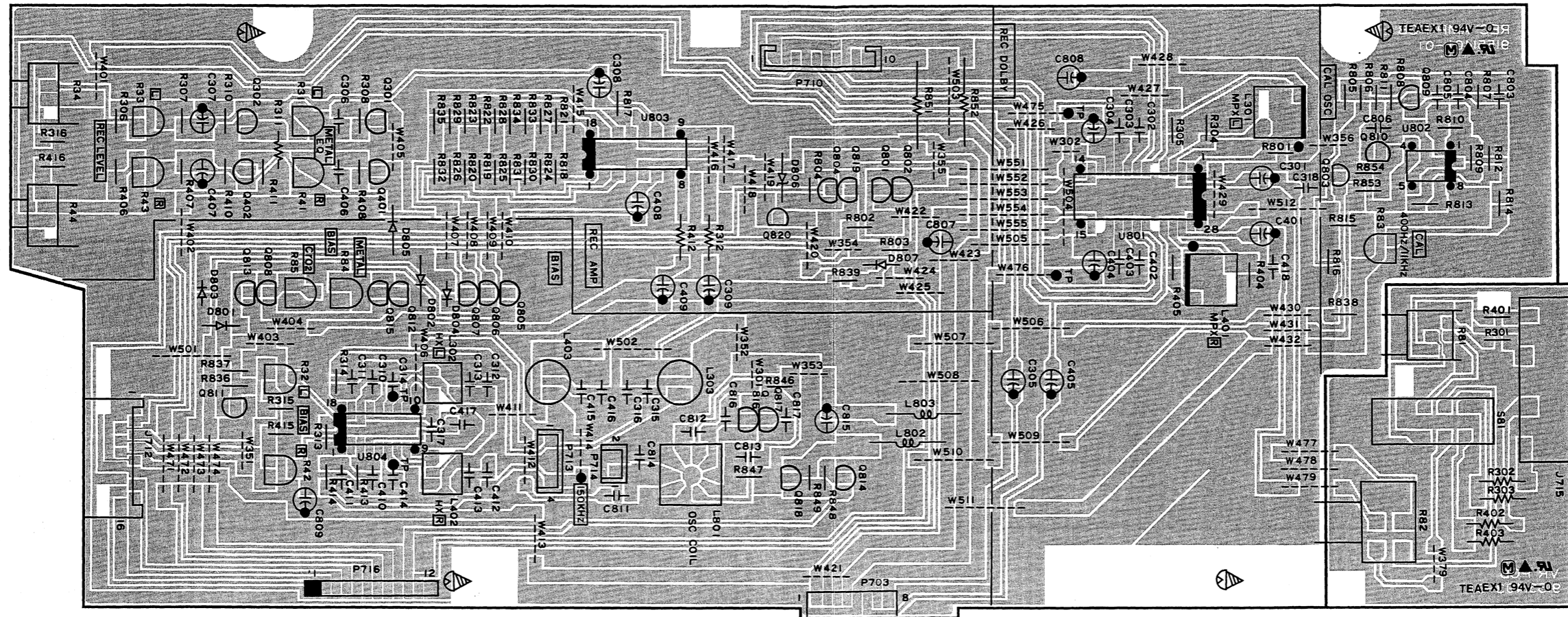
基板図とパーツリスト

## PLAY AMP PCB

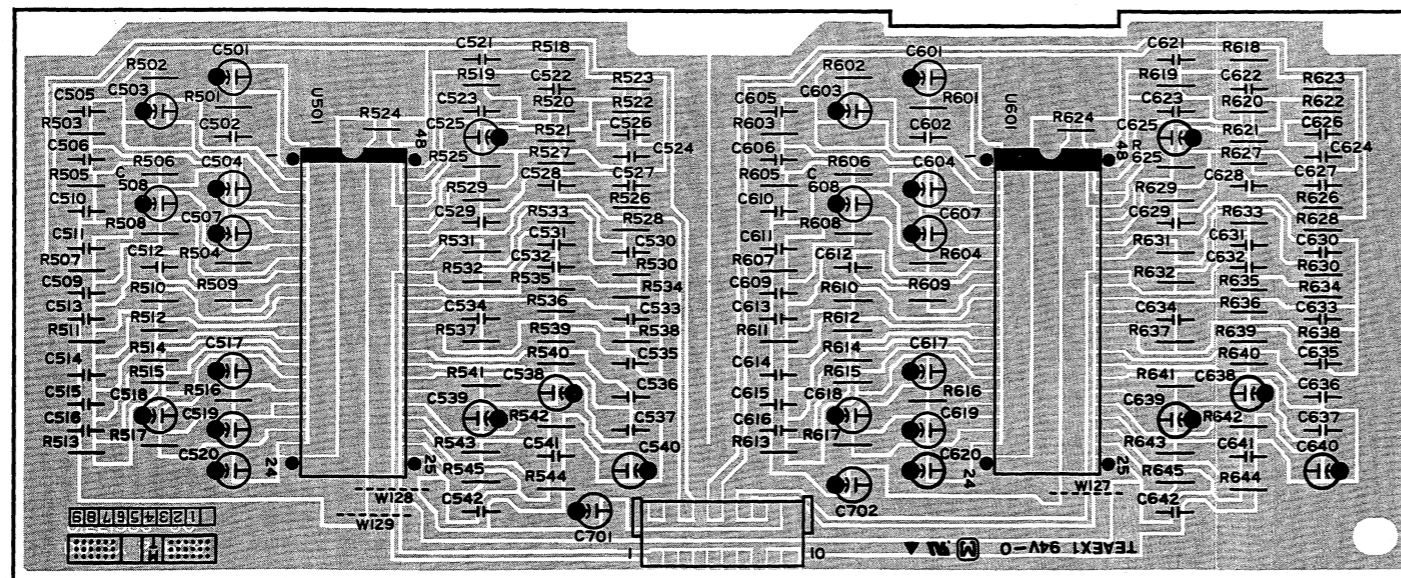




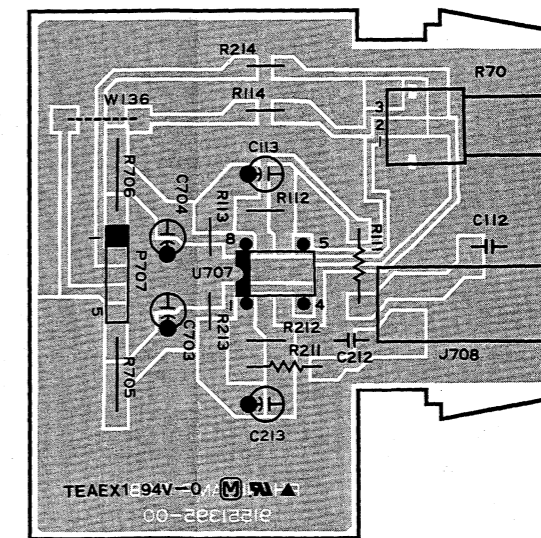
REC AMP PCB / VR PCB



DOLBY S PCB

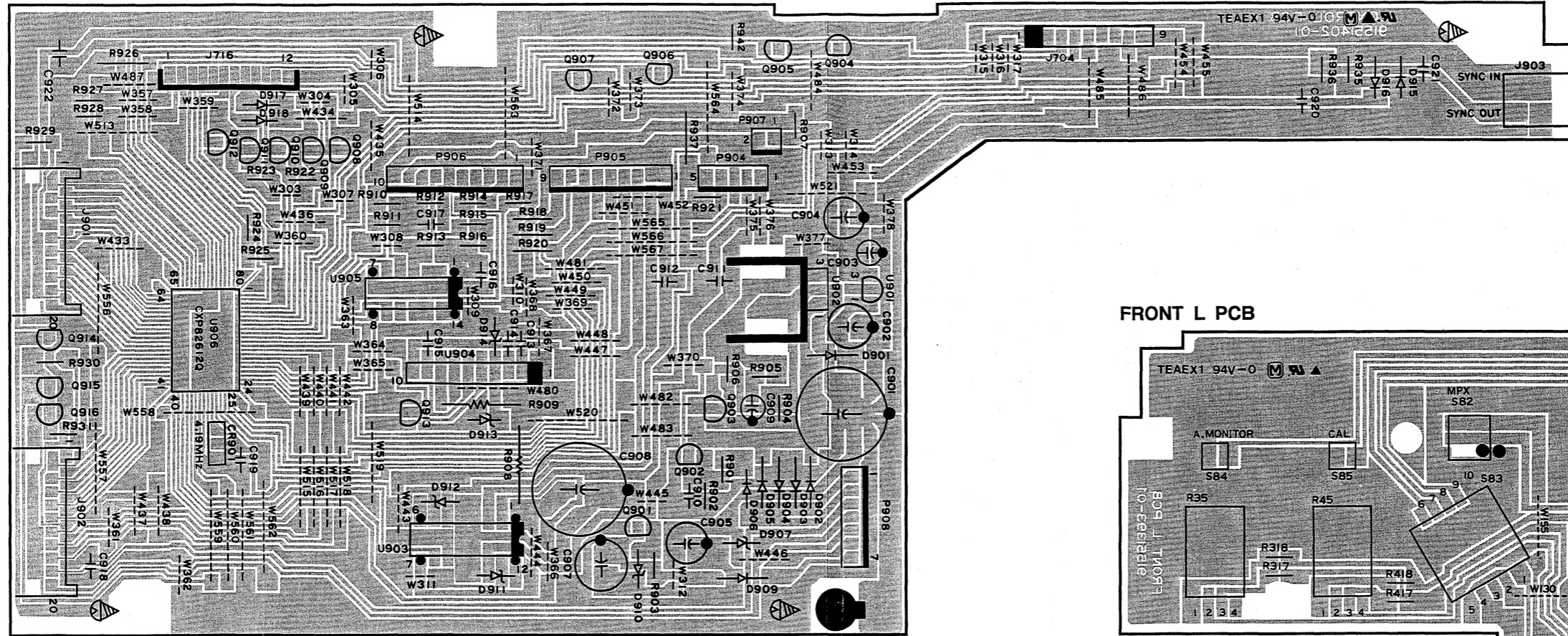


PHONE AMP PCB

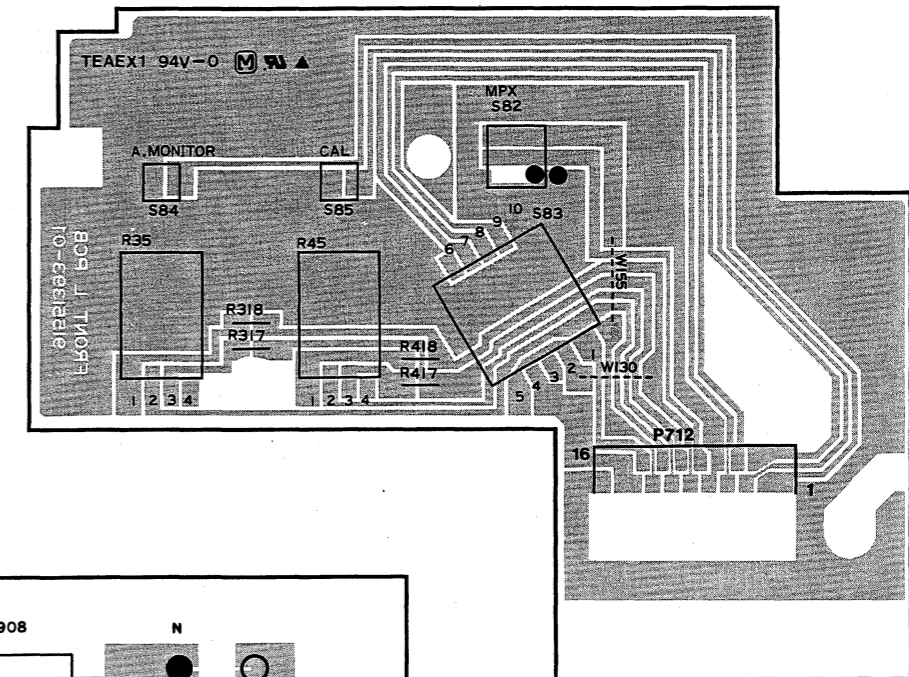




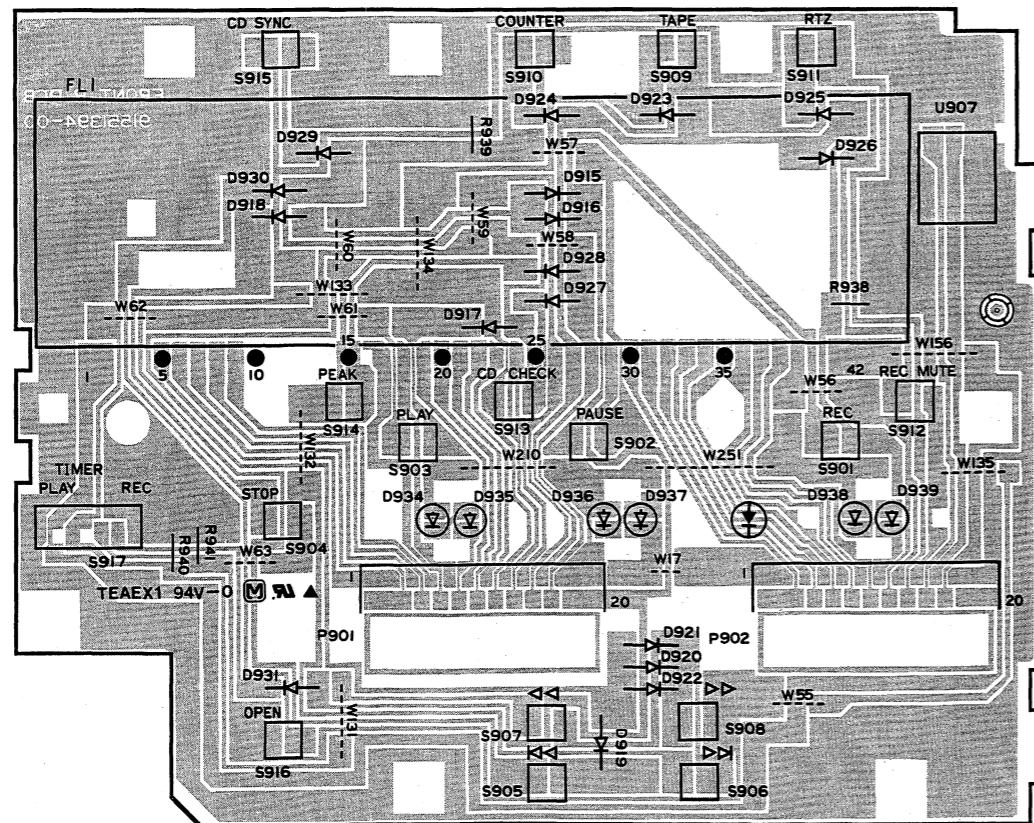
CONTROL PCB



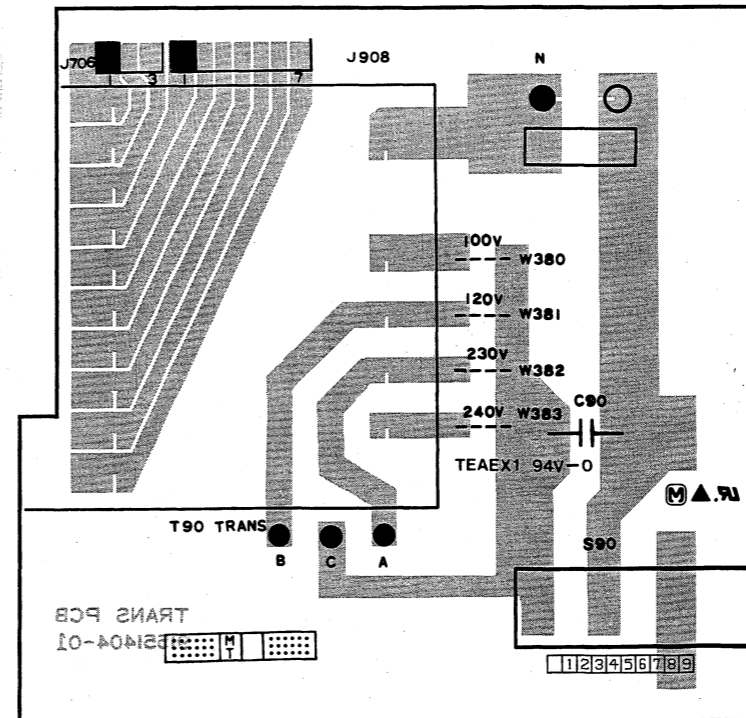
FRONT L PCB



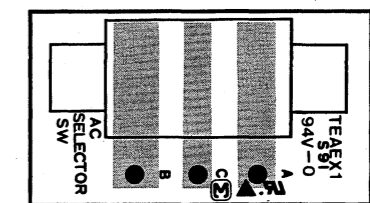
FRONT R PCB



TRANS PCB



AC SELECTOR SW PCB



## PLAY AMP PCB ASSY

REF. NO.	PARTS NO.	DESCRIPTION
	*9145139100	PLAY AMP PCB ASSY
	*9155139100	PLAY AMP PCB
	9229087200	EARTH PLATE, B
C708, 709	△ 9117273510	C, ELEC 2200UF/16V
D701-704	△ 9165020550	DIODE, 1N4003
J703	9143325000	CONNECTOR SOCKET, 8R-FJ
J704	9143257000	CONNECTOR PLUG, 9P
J709	9143958000	PIN RCA JACK, 2P
L101, 201	9173009200	COIL, 22MH
P701	9143172000	CONNECTOR PLUG, B4B-EH-A
P705	9143173000	CONNECTOR PLUG, 5P
P706	9143171000	CONNECTOR PLUG, B3B-EH-A
Q101, 201	9163013820	TR, KRC103M
Q701	9163013820	TR, KRC103M
Q702	9163009920	TR, 2SA1015GR
Q703	△ 9163203200	TR, 2SB1015Y
R10, 20	9112056000	VR, SEMI-FIXED 4.7K (B)
R11, 21	9112057000	VR, SEMI-FIXED 22K (B)
R720, 721	△ 9114408000	R, NON-F 1/4W 56
U502, 602	9167024600	IC, CXA1417S
U701	9167014000	IC, UPC4570C
U702	9167027700	IC, CXA1563S
U703, 704	9167009800	IC, TC4066BP
U705	9167012400	IC, BA335
U706	9167008100	IC, NJM4558D
U708	△ 9167025600	IC, NJM317F
U709	9167027900	IC, BA6138

## REC AMP PCB ASSY

REF. NO.	PARTS NO.	DESCRIPTION
	*9145140100	REC AMP PCB ASSY
	*9155140100	REC AMP PCB
D801-805	9165022150	DIODE, 1SS133T
D806	9166046051	ZENER DIODE, RD5.1ESAB2
D807	9165022150	DIODE, 1SS133T
J712	9143965000	CONNECTOR, 16P
L301, 401	9173007000	LOW PASS FILTER, MPX
L302, 402	9173007900	STEP UP COIL
L303, 403	9173009200	COIL, 22MH
L801	9173009100	OSC COIL, 150KHZ
L802, 803	9173006350	COIL, 220UH
P703	9143324000	CONNECTOR PLUG, 8P
P710	9143448000	CONNECTOR, 10P
P713	9143172000	CONNECTOR PLUG, B4B-EH-A
P714	9143170000	CONNECTOR PLUG, 2P
Q301, 401	9163013820	TR, KRC103M
Q302, 402	9163609920	TR, 2SD2144S
Q801-803	9163013820	TR, KRC103M
Q804	9163013920	TR, KRA103M
Q805-807	9163013820	TR, KRC103M

## REC AMP PCB ASSY

REF. NO.	PARTS NO.	DESCRIPTION
Q808	9163013920	TR, KRA103M
Q809-811	9163309420	TR, 2SC1815GR
Q812-814	9163013820	TR, KRC103M
Q815	9163013920	TR, KRA103M
Q816, 817	9163309420	TR, 2SC1815GR
Q818	9163009920	TR, 2SA1015GR
Q819, 820	9163013820	TR, KRC103M
R31, 41	9112059700	VR, SEMI-FIXED 47K (B)
R32, 42	9112059800	VR, SEMI-FIXED 10K (B)
R33, 43	9112057000	VR, SEMI-FIXED 22K (B)
R34, 44	9172025000	VR, 5K (B)
R83	9112059800	VR, SEMI-FIXED 10K (B)
R84	9112056000	VR, SEMI-FIXED 4.7K (B)
R85	9112059700	VR, SEMI-FIXED 47K (B)
R851, 852	△ 9114408000	R, NON-F 1/4W 56
U801	9167027700	IC, CXA1563S
U802	9167008100	IC, NJM4558D
U803	9167019600	IC, CXA1198AP
U804	9167012800	IC, UPC1297CA

## VR PCB ASSY

REF. NO.	PARTS NO.	DESCRIPTION
	*9145140300	VR PCB ASSY
	*9155140300	VR PCB
J715	9143959000	RCA PIN JACK, 4P
R81	9172024900	VR, 100K (MN)
R82	9172025100	VR, 20KAX2
S81	9135035600	SW, PUSH 2-2

## DOLBY S PCB ASSY

REF. NO.	PARTS NO.	DESCRIPTION
	*9145139200	DOLBY S PCB ASSY
	*9155139200	DOLBY S PCB
J710	9143428000	CONNECTOR, 10P
U501, 601	9167024600	IC, CXA1417S

## PHONE JACK PCB ASSY

REF. NO.	PARTS NO.	DESCRIPTION
	*9145139500	PHONE JACK PCB ASSY
	*9155139500	PHONE JACK PCB
J708	9143327000	PHONE JACK
R70	9172024800	VR, 20KAX2
R705, 706	△ 9114409000	R, NON-F 1/4W 100
U707	9167008100	IC, NJM4558D

## CONTROL PCB ASSY

REF. NO.	PARTS NO.	DESCRIPTION
	*9145140200	CONTROL PCB ASSY
	*9155140200	CONTROL PCB
	9229087200	EARTH PLATE, B
	9260069801	HEAT SINK
	*9783213008	SCREW, BTT-B M3X8
CR901	9173008400	OSC, CERAMIC FCR4.19MC5
C901	△ 9117303600	C, ELEC 4700UF 25V
C902	△ 9117214020	C, ELEC 220UF 25V
C907	△ 9117215020	C, ELEC 220UF 35V
C908	9117303600	C, ELEC 4700UF 25V
D901-905	△ 9165020550	DIODE, 1N4003
D906	9165022150	DIODE, 1SS133T
D907	9166046051	ZENER DIODE, RD5. 1ESAB2
D908, 909	△ 9165020550	DIODE, 1N4003
D910	9166047551	ZENER DIODE, RD22ESB2
D911	9166046751	ZENER DIODE, RD10ESB2
D912	9166046551	ZENER DIODE, RD8. 2ESB2
D913	9166045551	ZENER DIODE, RD3. 3ESAB2
D914	9166046051	ZENER DIODE, RD5. 1ESAB2
D915-918	9165022150	DIODE, 1SS133T
J704	9107070700	FLAT WIRE, 9P
J716	9143240000	CONNECTOR PLUG, B12B-PH-K
J901, 902	9143967000	CONNECTOR, 20P
J903	9143312000	MINIATURE JACK
J904	9143173000	CONNECTOR PLUG, 5P
J905	9143177000	CONNECTOR PLUG, 9P
J906	9143178000	CONNECTOR PLUG, 10P
J907	9143170000	CONNECTOR PLUG, 2P
P908	9143175000	CONNECTOR PLUG, 7P (WHT)
Q901	△ 9163009920	TR, 2SA1015GR
Q902, 903	9163309420	TR, 2SC1815GR
Q904-912	9163013920	TR, KRA103M
Q913-916	9163013820	TR, KRC103M
R908	△ 9114406000	R, NON-F 2W 5.6
R909	△ 9114415000	R, NON-F 2W 47
U901	△ 9167025700	IC, TA78L005AP
U902	△ 9167016000	IC, NJM78M12FA
U903	9167027800	IC, LB1649
U904	9167021100	IC, BA6219
U905	9167026900	IC, TC4069UBP
U906	9167027000	IC, CXP82612Q-109Q

## FRONT L PCB ASSY

REF. NO.	PARTS NO.	DESCRIPTION
	*9145139300	FRONT L PCB ASSY
	*9155139300	FRONT L PCB
P712	9143973000	CONNECTOR, 16P
R35, 45	9172024700	VR, 5K (B)
S82	9135035700	SW, PUSH 2-2
S83	9135035900	SW, ROTARY 2-4
S84, 85	9136001920	SW, TACT

## FRONT R PCB ASSY

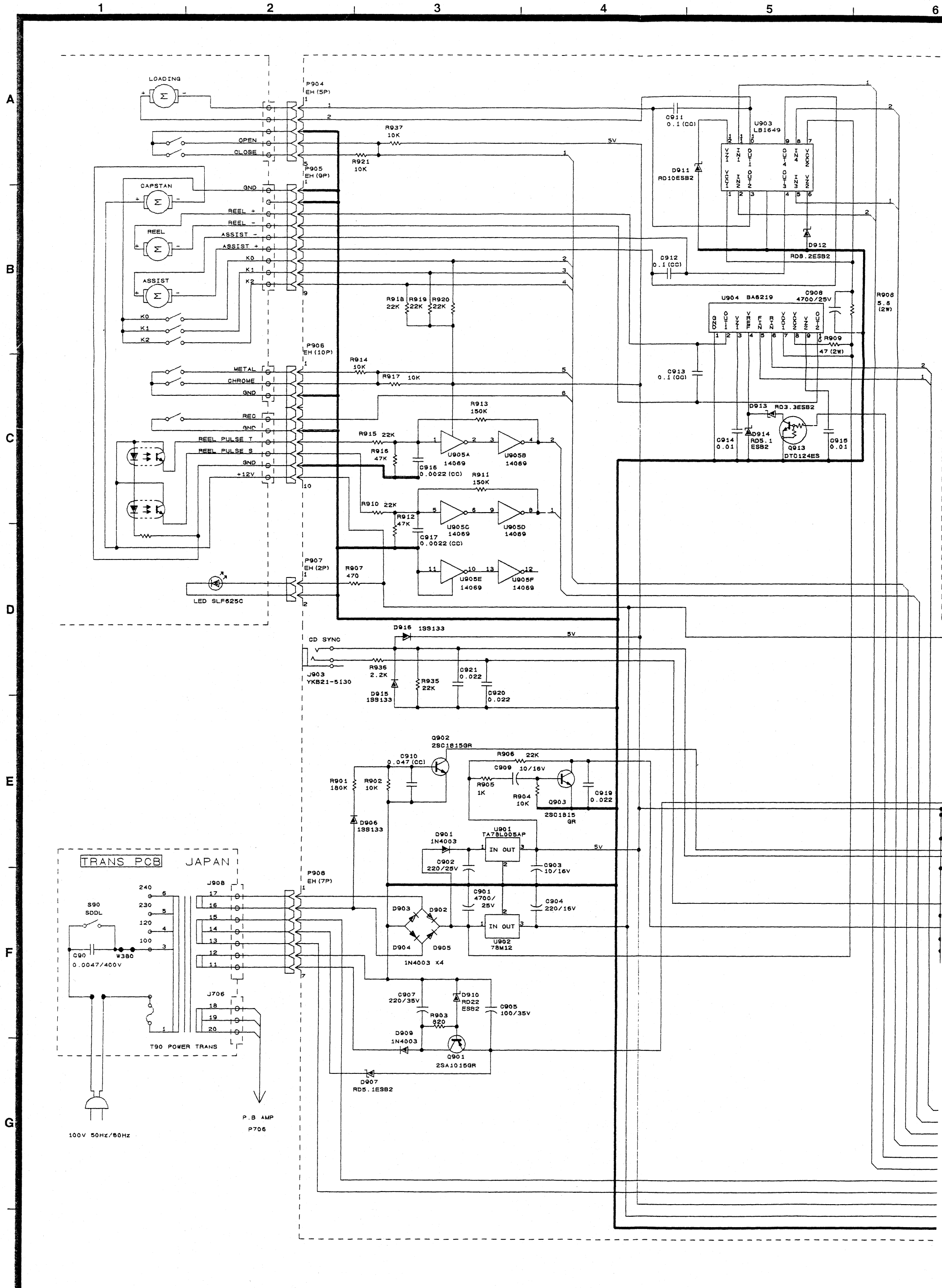
REF. NO.	PARTS NO.	DESCRIPTION
	*9145139400	FRONT R PCB ASSY
	*9155139400	FRONT R PCB
	*9260214700	FL HOLDER
	*9260192000	LED HOLDER
D915-931	9165022150	DIODE, 1SS133T
D934-937	9174016200	LED, 484VYT/C7 (YEL)
D938, 939	9174016800	LED, 484IT-A (RED)
FL1	9174016700	FL DISPLAY, BJ297GK
P901, 902	9143975000	CONNECTOR, 20P
S901-916	9136001920	SW, TACT
S917	9134011100	SW, SLIDE
U907	9167024400	REMOTE CONTROL RECEIVER

## TRANS PCB ASSY

REF. NO.	PARTS NO.	DESCRIPTION
	*9145140401	TRANS PCB ASSY [US, C, GE]
	*9145140411	TRANS PCB ASSY [E]
	*9145140421	TRANS PCB ASSY [UK, A]
	*9145140431	TRANS PCB ASSY [J]
	*9155140400	TRANS PCB
	5327009600	LAPPING TERMINAL, 2P [E, UK, A]
C90	△ 9120000100	SPARK KILLER 0.0047UF/400V
S90	△ 9135032000	POWER SW
T90	△ 9125104000	POWER TRANSFORMER

## AC SELECTOR SW PCB ASSY

REF. NO.	PARTS NO.	DESCRIPTION
	*9145140500	AC SEL. SW PCB ASSY [US, C, GE]
	*9155140500	AC SELECTOR SW PCB
	△ 9134010700	SW, AC SELECTOR

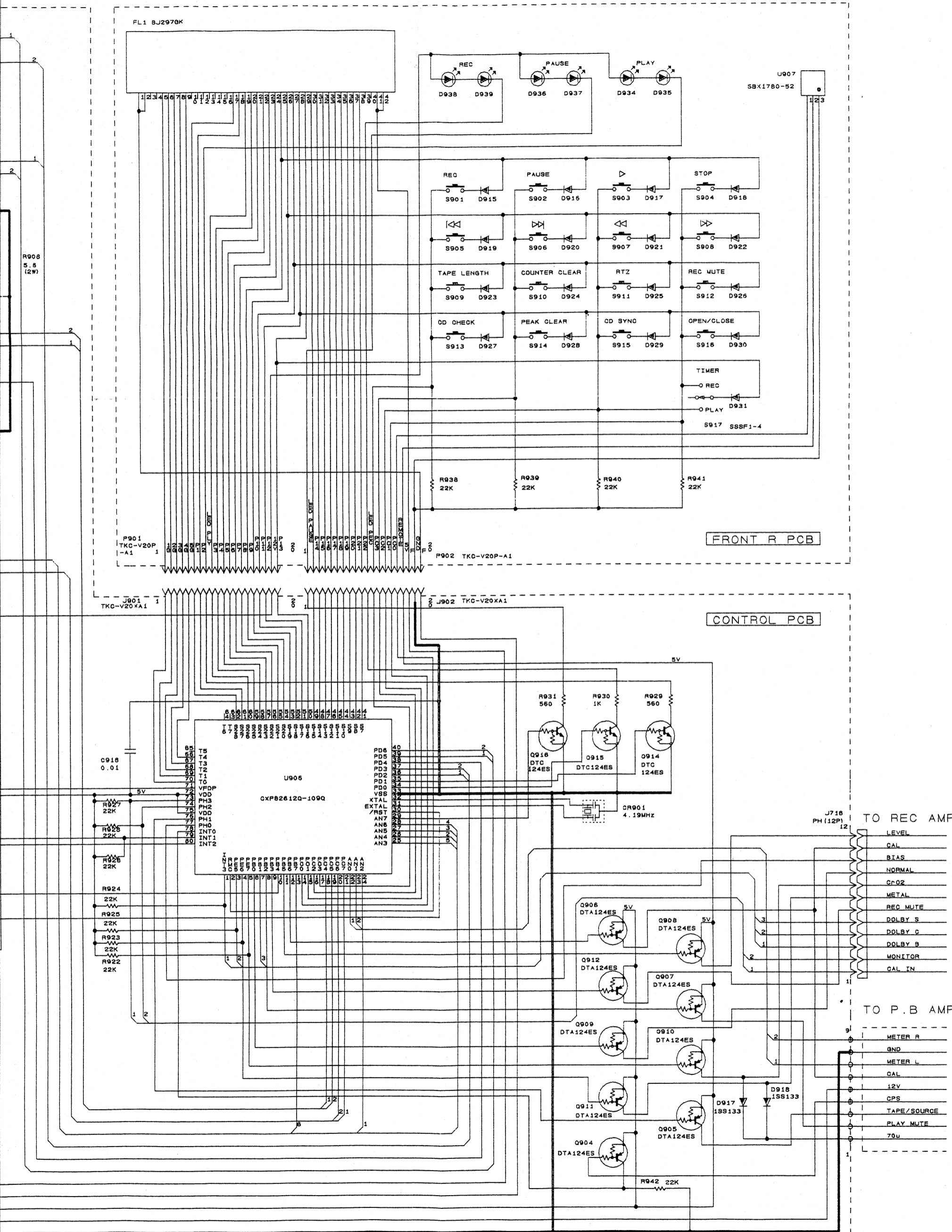


**INSTRUCTIONS FOR SERVICE PERSONNEL**  
 BEFORE RETURNING APPLIANCE TO THE CUSTOMER, MAKE LEAKAGE-CURRENT OR RESISTANCE MEASUREMENTS TO DETERMINE THAT EXPOSED PARTS ARE ACCEPTABLY INSULATED FROM THE SUPPLY CIRCUIT.

**NOTES:**  
 1. Resistor values are in ohms (k=kilo-ohms, M=megohms).  
 2. Capacitor values are in microfarads (p=picofarads).  
 3.  $\Delta$  Parts marked with this sign are safety critical components. They must always be replaced with identical components-refer to the appropriate parts list and ensure exact replacement.

**注意**  
 1. 抵抗の単位は $\Omega$  (k=k $\Omega$ , M=M $\Omega$ ) です。  
 2. コンデンサの単位は $\mu\text{F}$  (p=pF) です。  
 3.  $\Delta$ マークのある部品は安全規格重要部品です。交換するときは必ずテック指定の部品を使用してください。





FRONT R PCB

CONTROL PCB

- J718 PH (12P)
- TO REC AMP
  - LEVEL
  - CAL
  - BIAS
  - NORMAL
  - Cr-O2
  - METAL
  - REC MUTE
  - DOLBY S
  - DOLBY C
  - DOLBY B
  - MONITOR
  - CAL IN

- TO P.B AMP
- METER R
  - GND
  - METER L
  - CAL
  - 12V
  - CPS
  - TAPE/SOURCE
  - PLAY MUTE
  - 70u

# V-8030S/V-6030S

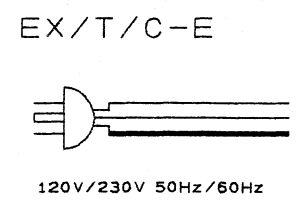
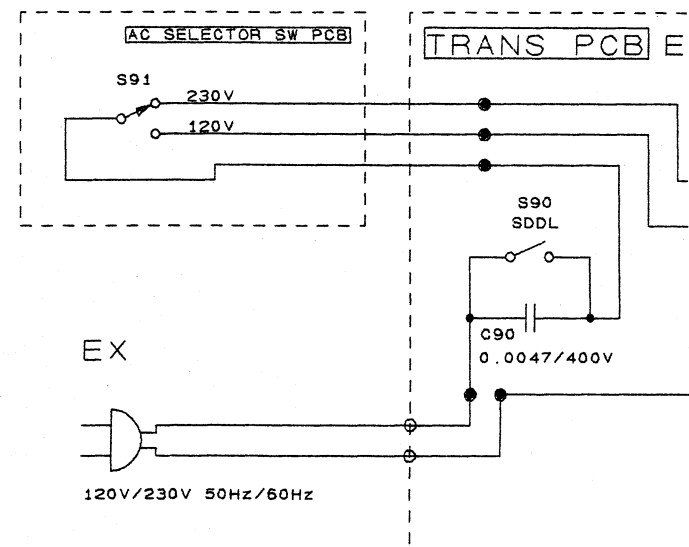
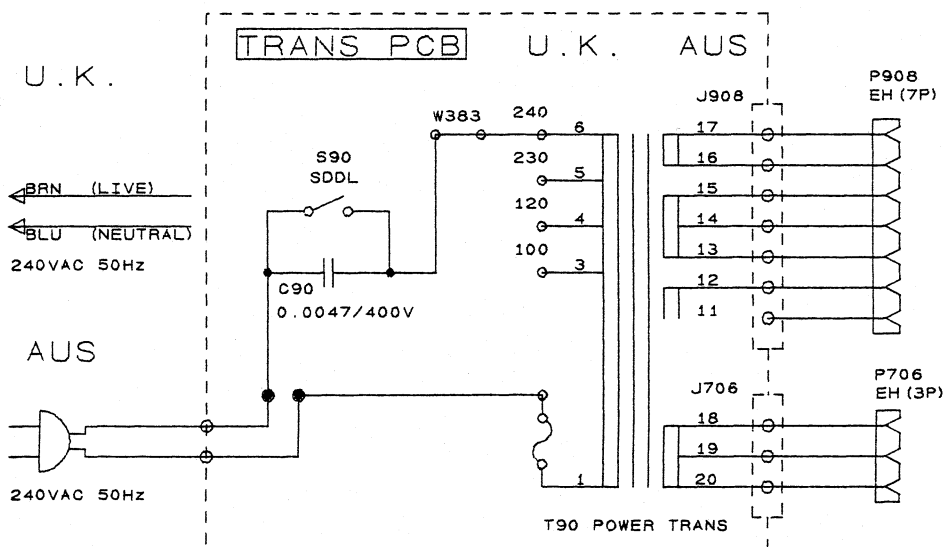
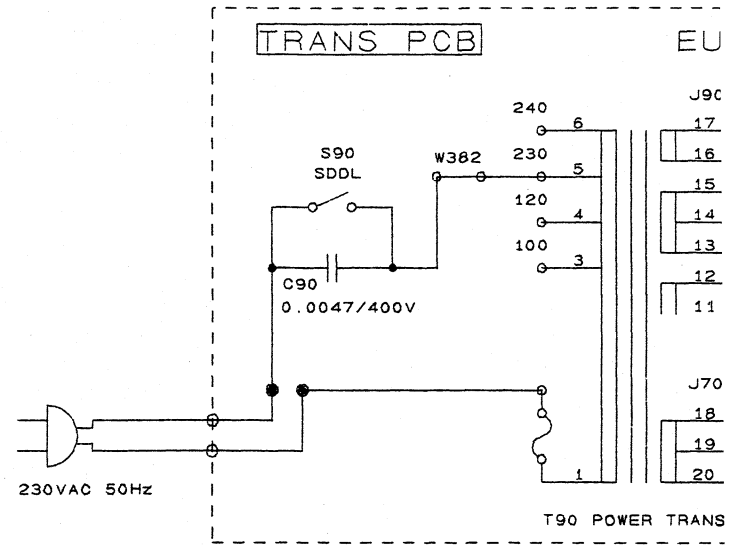
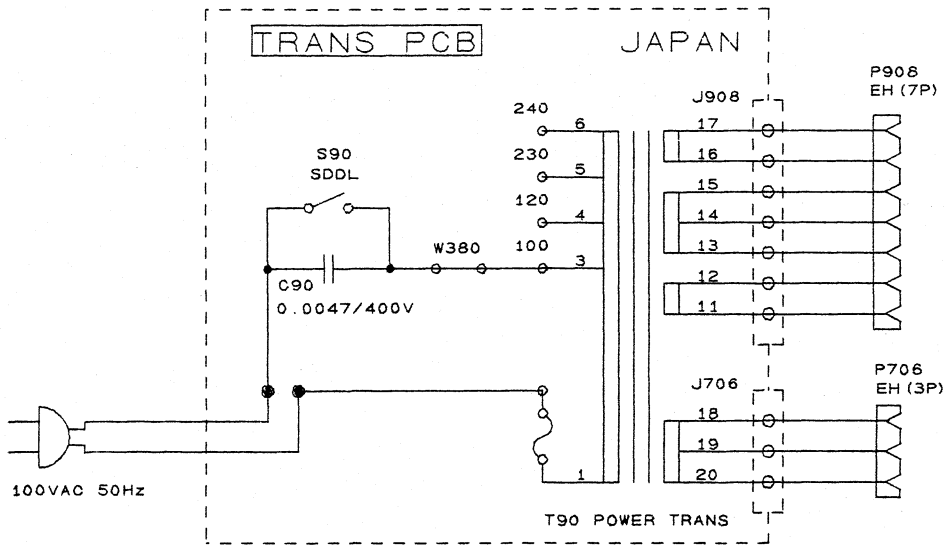
## Stereo Cassette Deck



# TEAC SCHEMATIC DIAGRAM V-8030S/V-6030S TRANS PCB / AC SELECTOR SW PCB

1 | 2 | 3 | 4 | 5

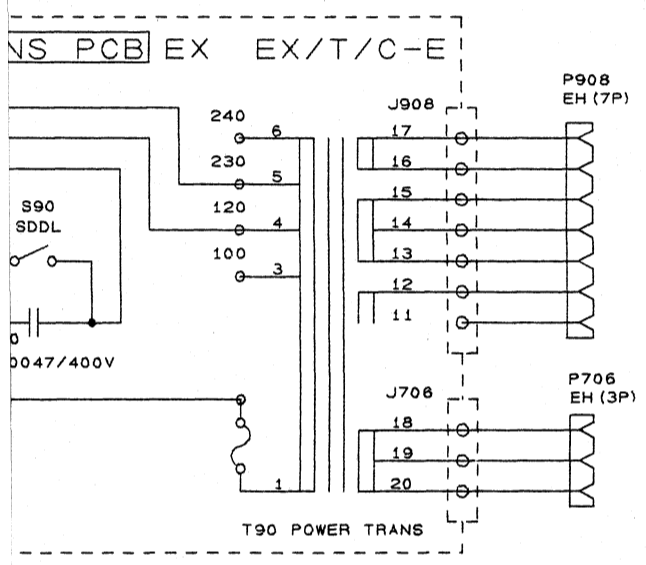
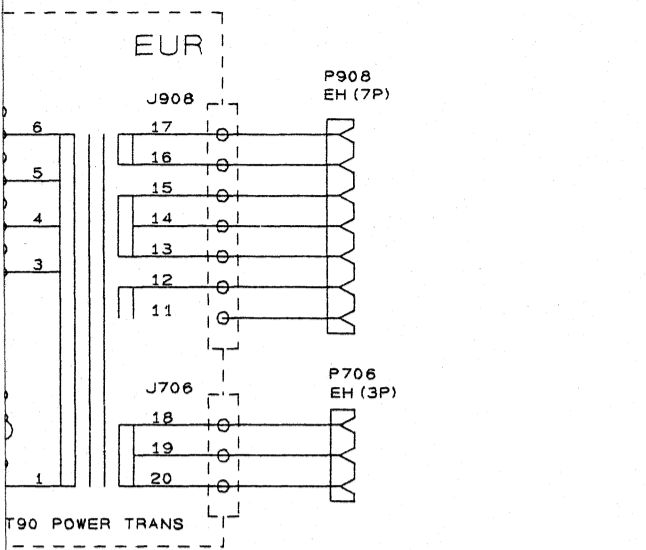
A  
B  
C  
D  
E  
F  
G  
H



**INSTRUCTIONS FOR SERVICE PERSONNEL**  
**BEFORE RETURNING APPLIANCE TO THE CUSTOMER, MAKE LEAKAGE-CURRENT OR RESISTANCE MEASUREMENTS TO DETERMINE THAT EXPOSED PARTS ARE ACCEPTABLY INSULATED FROM THE SUPPLY CIRCUIT.**

**注意**  
 1. 抵抗の単位はΩ (k=kΩ, M=MΩ) です。  
 2. コンデンサの単位はμF (p=pF) です。  
 3. △マークのある部品は安全規格重要部品です。交換するときは必ずティアック指定の部品を使用してください。

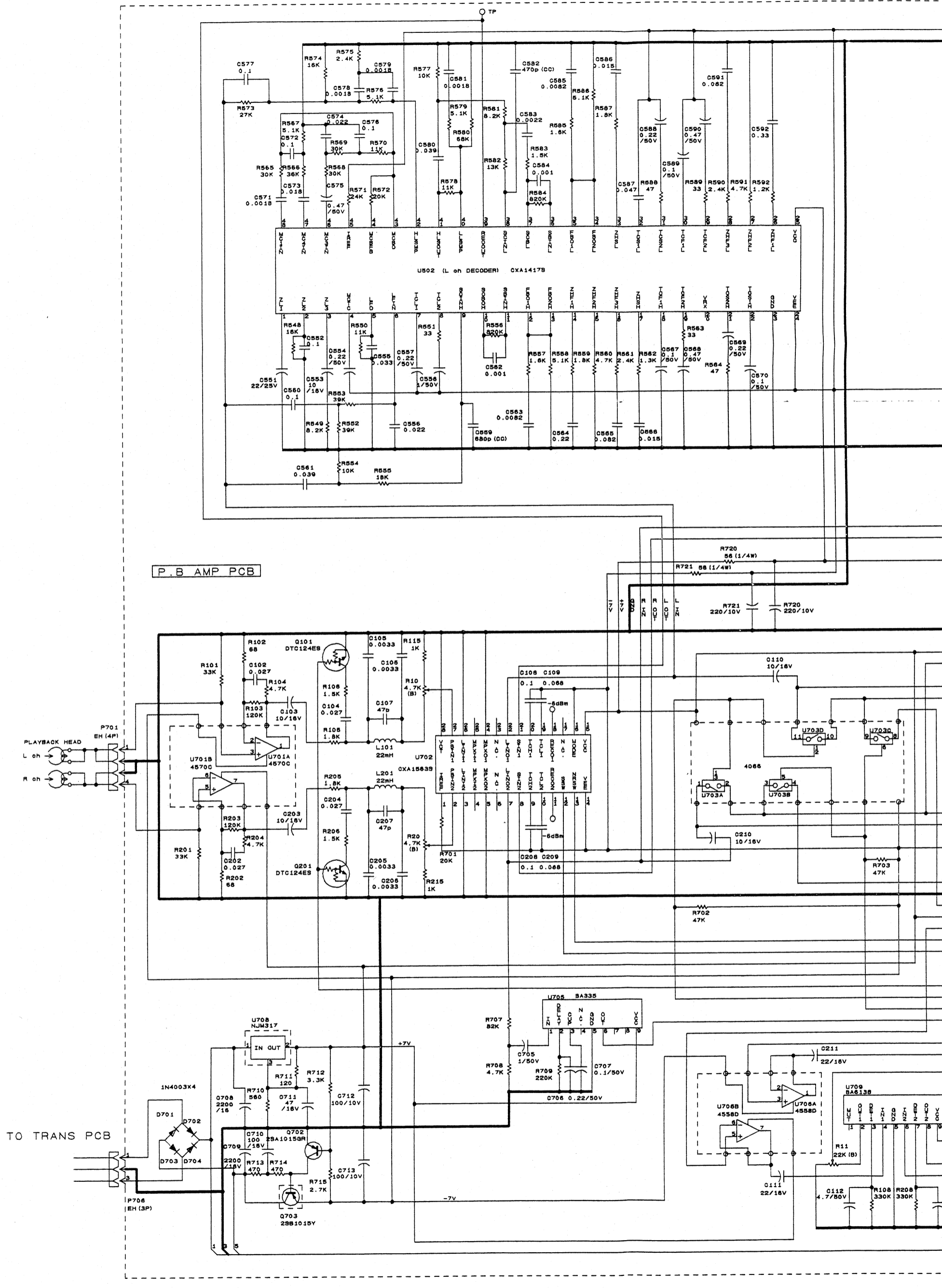
**NOTES:**  
 1. Resistor values are in ohms (k=kilo-ohms, M=megohms).  
 2. Capacitor values are in microfarads (p=picofarads).  
 3. △ Parts marked with this sign are safety critical components. They must always be replaced with identical components-refer to the appropriate parts list and ensure exact replacement.



# V-8030S/V-6030S

## Stereo Cassette Deck

A  
B  
C  
D  
E  
F  
G  
H



**INSTRUCTIONS FOR SERVICE PERSONNEL**  
 BEFORE RETURNING APPLIANCE TO THE CUSTOMER, MAKE LEAKAGE-CURRENT OR RESISTANCE MEASUREMENTS TO DETERMINE THAT EXPOSED PARTS ARE ACCEPTABLY INSULATED FROM THE SUPPLY CIRCUIT.

**NOTES:**  
 1. Resistor values are in ohms (k=kilo-ohms, M=megohms).  
 2. Capacitor values are in microfarads (p=picofarads).  
 3. △ Parts marked with this sign are safety critical components. They must always be replaced with identical components-refer to the appropriate parts list and ensure exact replacement.

**注意**  
 1. 抵抗の単位はΩ (k=kΩ, M=MΩ) です。  
 2. コンデンサの単位はμF (p=pF) です。  
 3. △マークのある部品は安全規格重要部品です。交換するときは必ずテック指定の部品を使用してください。







## INCLUDED ACCESSORIES 付属品

REF. NO.	PARTS NO.	DESCRIPTION	REMARKS
	*9101397700	OWNER'S MANUAL, JPN [J]	
	*9101397800	OWNER'S MANUAL, 6M [EXCEPT J]	
	*9109027101	IN-OUTPUT CORD	
	*9151002600	REMOTE CONTROL UNIT, N RC-557	V-8030S(N)/V-6030S(N)
	*9151002700	REMOTE CONTROL UNIT, B RC-558	V-8030S(B)/V-6030S(B)
	5347007000	BATTERY	

### NOTES

- PC boards shown are viewed from parts side.
- Parts marked with \* require longer delivery time.
- The parts with no reference number or no parts number in the exploded views are not supplied.
- As regards the resistors and capacitors, refer to the circuit diagrams contained in this manual.
- △ Parts marked with this sign are safety critical components. They must be replaced with identical components - refer to the appropriate parts list and ensure exact replacement.
- Parts of [ ] mark can be used only with the version designated.  
 [J]: JAPAN [US]: U. S. A. [C]: CANADA [GE]: GENERAL EXPORT  
 [E]: EUROPE [UK]: U. K. [A]: AUSTRALIA  
 V-8030S(N)/V-6030S(N): Gold Version  
 V-8030S(B)/V-6030S(B): Black Version

### 注意

- プリント基板図は部品面が示されています。
- \*印の部品は納期が若干かかります。  
あらかじめご了承ください。
- 分解図に部番のない部品及び品番のない部品は供給しません。
- 標準の抵抗、コンデンサーは省略してあります。  
回路図を参照してください。
- △印は安全重要部品です。  
交換する時は必ずティアック指定の部品を使用してください。
- 仕向先  
 [J]: JAPAN [US]: U. S. A. [C]: CANADA [GE]: GENERAL EXPORT  
 [E]: EUROPE [UK]: U. K. [A]: AUSTRALIA  
 V-8030S(N)/V-6030S(N): 金色  
 V-8030S(B)/V-6030S(B): ブラック色

# V-8030S/V-6030S

# TEAC

**ティアック株式会社** オーディオ部 ☎ (0422) 52-5073 〒180 東京都武蔵野市中町 3-7-3

技術的なお問合わせ	AV技術相談室	☎ (0425) 60-7761	〒208 東京都武蔵村山市伊奈平 2-11-1
サービスに関するお問い合わせは、最寄りの営業所等へご連絡ください。 営業所にはサービス・センターが併設されています。	札幌営業所	☎ (011) 521-4101(代)	〒064 札幌市中央区南7条西 2-2
	仙台営業所	☎ (022) 227-1501(代)	〒980 仙台市青葉区1番町 2-5-5
	新潟サービス	☎ (025) 245-0103	〒950 新潟県新潟市本馬越 1-4-11
	大宮サービス	☎ (048) 642-4551(代)	〒330 大宮市三橋 2-8-4
	多摩サービス	☎ (0425) 60-8918	〒208 東京都武蔵村山市伊奈平 2-11-1
	東京サービス	☎ (03) 3592-1827	〒100 東京都千代田区永田町 2-10-7
	千葉サービス	☎ (043) 255-1281	〒260 千葉市中央区椿森 1-21-13
	神奈川サービス	☎ (0427) 46-6850	〒228 相模原市上鶴間 3 5 5 3-1
	静岡サービス	☎ (054) 238-2431	〒422 静岡市高松 1-12-1
	名古屋営業所	☎ (052) 702-3100(代)	〒465 名古屋市名東区上社 5-406
	京都サービス	☎ (075) 871-8730(代)	〒616 京都市右京区常盤窪 1 9
	大阪営業所	☎ (06) 384-5201(代)	〒564 吹田市垂水町 3-34-10
	岡山サービス	☎ (0862) 25-8601	〒700 岡山市新保 1 1 4 2-6
	広島営業所	☎ (082) 294-4751(代)	〒730 広島市中区西川口町 1 3-1 9
	福岡営業所	☎ (092) 431-5781(代)	〒812 福岡市博多区東光 2-2-2 4
	福岡サービス	☎ (092) 936-5672	〒811-22 福岡県粕屋郡志免町志免 1 0 4 1

<b>TEAC CORPORATION</b>	3-7-3, Nakacho, Musashino-shi, Tokyo 180, Japan	Phone:(0422)52-5081
<b>TEAC AMERICA, INC.</b>	7733 Telegraph Road, Montebello, California 90640	Phone:(213)726-0303
<b>TEAC CANADA LTD.</b>	340 Brunel Road, Mississauga, Ontario L4Z 2C2, Canada	Phone:905-890-8008
<b>TEAC UK LIMITED</b>	5 Marlin House, Marlin's Meadow, The Croxley Centre, Watford, Herts. WD1 8YA, U.K.	Phone:0923-819631
<b>TEAC DEUTSCHLAND GmbH</b>	Bahnstrasse 12, 65205 Wiesbaden-Erbenheim, Germany	Phone:0611-71580
<b>TEAC FRANCE S.A.</b>	17, Rue Alexis-de-Tocqueville, CE 005 92182 Antony Cedex, France	Phone:(1)42.37.01.02
<b>TEAC NEDERLAND BV</b>	Perkinsbaan 11, 3439 ND Nieuwegein, Nederland	Phone:03-402-30229
<b>TEAC AUSTRALIA PTY., LTD.</b> A.C.N. 005 408 462	106 Bay Street, Port Melbourne, Victoria 3207, Australia	Phone:(03)846-1733
<b>TEAC ITALIANA S.p.A.</b>	Via C. Cantù 5, Cinisello Balsamo, Milano, Italy	Phone:02-66010500